

advanced FLOW engineering

Instruction Manual P/N: 51-76102 and 54-76102

Make: **Nissan** Model: **Frontier** Year: **2005-2015** Engine: **V6-4.0L**

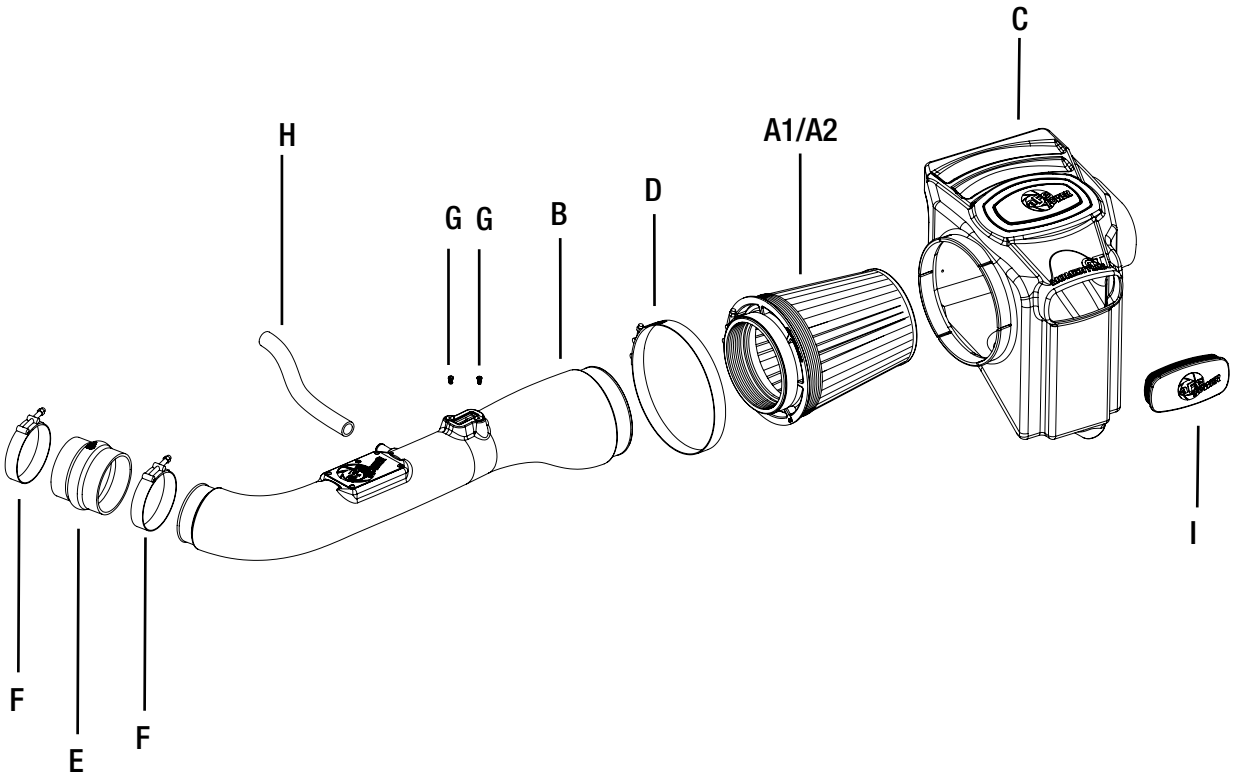


- Please read the entire instruction manual before proceeding.
- Ensure all components listed are present.
- If you are missing any of the components, call customer support.
- Ensure you have all necessary tools before proceeding.
- Do not attempt to work on your vehicle when the engine is hot.
- Disconnect the negative battery terminal before proceeding.
- Retain factory parts for future use.

Label	Qty.	Description	Part Number
A1	1	Air Filter (Pro DRY S)	21-91062 (51-76102)
A2	1	Air Filter (Pro-5R)	24-91062 (54-76102)
B	1	Tube	05-76102B1
C	1	Housing	05-76102B2
D	1	Clamp, T-Bolt (7-5/16" - 7-5/8") SS	03-50290
E	1	Coupling Silicone Hump	05-01330
F	2	Clamp, T-Bolt (3-5/16" - 3-5/8") SS	03-50292
G	2	Screw, Chs Hd M4 x .7x8	05-50034
H	1	Hose, Fuel 5/8 ID Black @ 16"L	05-00069
I	1	Plug	05-01202

Tools needed: 8mm Nut driver, 10mm Nut Driver, 1/4" Ratchet, 10mm Socket, Flathead Screw Driver, Phillips Screw Driver, Pliers.

Note: Legal in California for use on race vehicles only. The use of this device on vehicles used on public streets or highways is strictly prohibited in California and others states that have adopted California emission regulations.

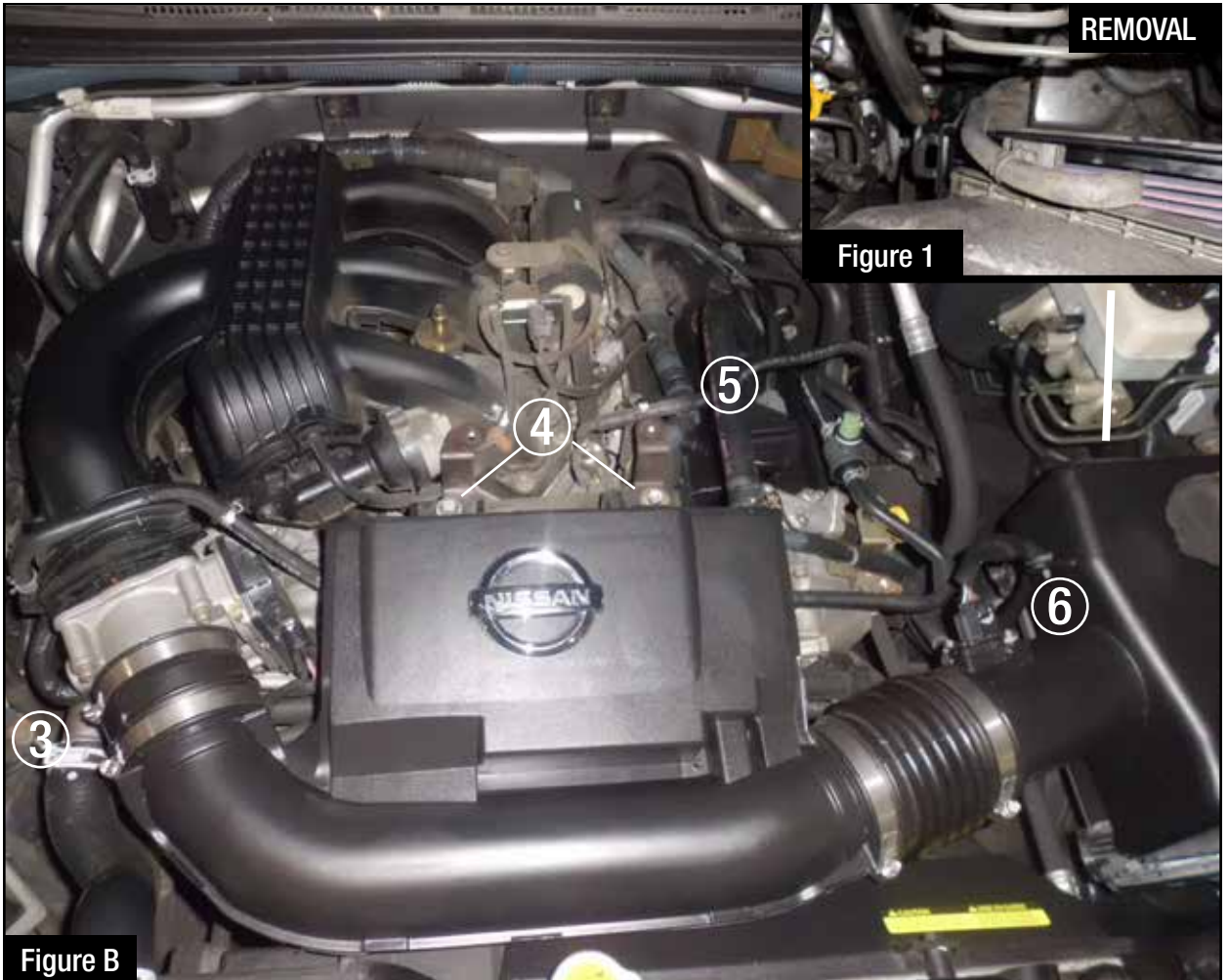


**Figure A****Refer to Figure A for Steps 1-3**

Step 1: Remove the 10mm bolts (x2) securing the engine cover. ①

Step 2: Lift up and remove cover.

Step 3: Remove the 10mm bolt on the side of the air box and set aside for later use. ②



Refer to Figure B for Steps 4-8

Step 4: Loosen the hose clamp at the throttle body. (3)

Step 5: Remove the 10mm bolts (x2) on the intake tube. (4)

Step 6: Unclamp both ends of the crank case vent hose and remove. Save the clamps for later use. (5)

Step 7: Disconnect the MAF sensor and clip attached to factory housing. (6)

*If equipped: remove vent hose clipped to the back of the housing. (Figure 1)

Step 8: Lift and remove entire intake.



Figure C

Refer to Figure C for Step 9

Step 9: Transfer the rubber isolation mounts from the stock housing to the aFe housing. ⑦



Figure 2



Figure 3



Figure D

Refer to Figure D for Steps 10-13

*If your truck is equipped with the vent hose you removed in Figure 1, use the drill point location shown above in Figure 2 to drill a 3/16" hole.

Step 10: Line up the lower mounts and install the aFe housing as shown.

Note: It may help to use a small amount of lubricant on the inside of the rubber grommet.

Step 11: Secure housing using bolt you removed in Step 3 with 1/4" ratchet and 10mm socket. (Figure 3)

Step 12: *If applicable, reconnect previously removed vent hose to the back of the aFe housing in the 3/16" hole you drilled.

Step 13: Install the large t-bolt clamp as shown but do not tighten yet.



Figure E

Refer to Figure E for Step 14

Step 14: Remove the MAF sensor from the factory intake and install on the aFe intake tube with the provided screws as shown above. ⑧

**Figure F****Refer to Figure F for Steps 15-16**

Step 15: Assemble the filter with clamp to the tube as shown above.

Step 16: Tighten t-bolt clamp at this time. ⑨

**Figure G****Refer to Figure G for Steps 17-19**

- Step 17: Slip small t-bolt clamp over one side of coupling and install over throttle body. Tighten t-bolt clamp. ⑩
- Step 18: Slip 2nd small t-bolt clamp over other end as shown above but do not tighten at this time.
- Step 19: Connect the provided rubber hose to the stock crank case vent location and secure with the clamp you removed in Step 6. Position hose as shown. ⑪

**Figure H****Refer to Figure H for Steps 20-23**

Step 20: First insert the filter into the housing. (12)

Step 21: Next insert the tube end into the coupling. (13)

Step 22: Align the tube and filter with the housing and coupling, then tighten all clamps at this time.

Step 23: Connect the crank case vent hose to the aFe tube at this time. Reusing the factory clamp is optional. (14)

**Figure I****Refer to Figure I for Steps 24-26**

Step 24: Reconnect MAF sensor as shown. ⑮

Step 25: Reinstall engine cover with bolts removed in step 1. Your installation is now complete!

Step 26: (Optional) install plug on side of housing.

*Verify all connections are secure 100-200 miles after installation



Pro DRY S Air Filter



P/N: 21-91062

Pro 5R Air Filter



P/N: 24-91062

Pro DRY S Restore Kit



P/N: 90-59999

Blue Squeeze Restore Kit



P/N: 90-50501

Blue Aerosol Restore Kit



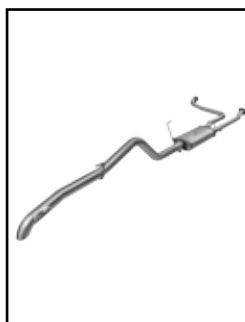
P/N: 90-50001

aFe Power Hat



P/N: 40-10083

aFe Cat-Back Exhaust



P/N: 49-46104

aFe Throttle Body Spacer



P/N: 46-36002

Twisted Steel Header



P/N: 48-46101

Warranty

General Terms:

- aFe warrants their products to be free from manufacturer's defects due to workmanship and material.
- This warranty applies only to the original purchaser of the product and is nontransferable.
- Proof of purchase of the aFe product is required for all warranty claims.
- Warranty is valid provided aFe instructions for installation and/or cleaning were properly followed.
- Proper maintenance with regular inspections of product is required to insure warranty coverage.
- Damage due to improper installation, abuse, unauthorized repair or alteration is not warranted.
- Incidental or consequential damages or cost, including installation and removal of part, incurred due to failure of aFe product is not covered under this warranty.
- All warranty is limited to the repair and/or replacement of the aFe part. To request Return Goods Authorization ("RGA"). Upon receipt of the RGA, you must return the product to the address provided in the RGA, freight prepaid and accompanied with a dated proof of purchase and the RGA. Upon receipt of the defective product and upon verification of proof of purchase, aFe will either repair or replace the defective product within a reasonable time, not to exceed thirty days.

Product Category	P/N Prefix	Warranty duration
Direct OE Replacement Filters	10, 11, 30, 31, 71, 73	Life of the vehicle
Racing Filters	18	1 year
Universal	21, 24, 72	2 years
Air Intake Systems	50, 51, 54, 55, 75	2 years
Exhaust Systems	49	2 years
Intercoolers & Intercooler Tubes	46-2	2 years
Intake Manifolds	46-1	2 years
Differential Cover	46-7	Life of the vehicle
Exhaust Manifolds	46	2 years
Throttle Body Spacers	46-3	2 years
Fluid Filters	44	90 days
Pre-Filters	28	2 years
Heavy Duty OE Replacement	70	2 years
PowerSports OE Replacement	81, 87	2 years
PowerSports Intake Systems	85	2 years

No other warranty expressed or implied applies nor is any person or advanced FLOW engineering authorized to assume any other warranty. Some States do not allow the exclusion or limitation of incidental or consequential damages or do not allow limitations on how long an implied warranty lasts, so the above limitations or exclusions may not apply to you. This warranty gives you specific legal rights, and you may also have other rights which vary from State to State.

Feel the difference with aFe.

Buy quality performance air intake systems in our online store.