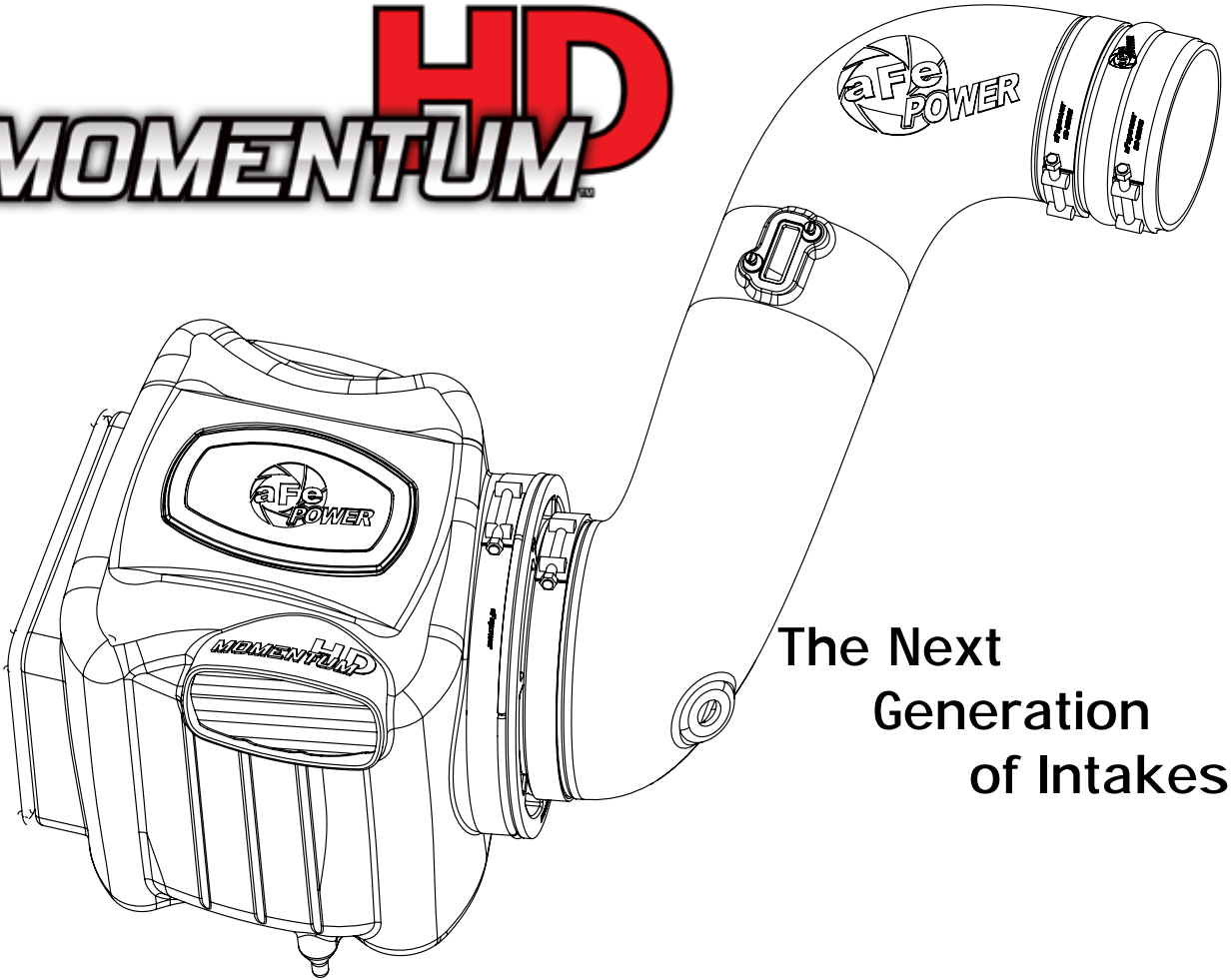


HD
MOMENTUM™



**The Next
Generation
of Intakes**

advanced FLOW engineering

Instruction Manual P/N: 51-74004/54-74004/75-74004

Make: **GM** Model: **Silverado HD/Sierra HD** Year: **07.5-10** Engine: **V8-6.6L (td) LMM**

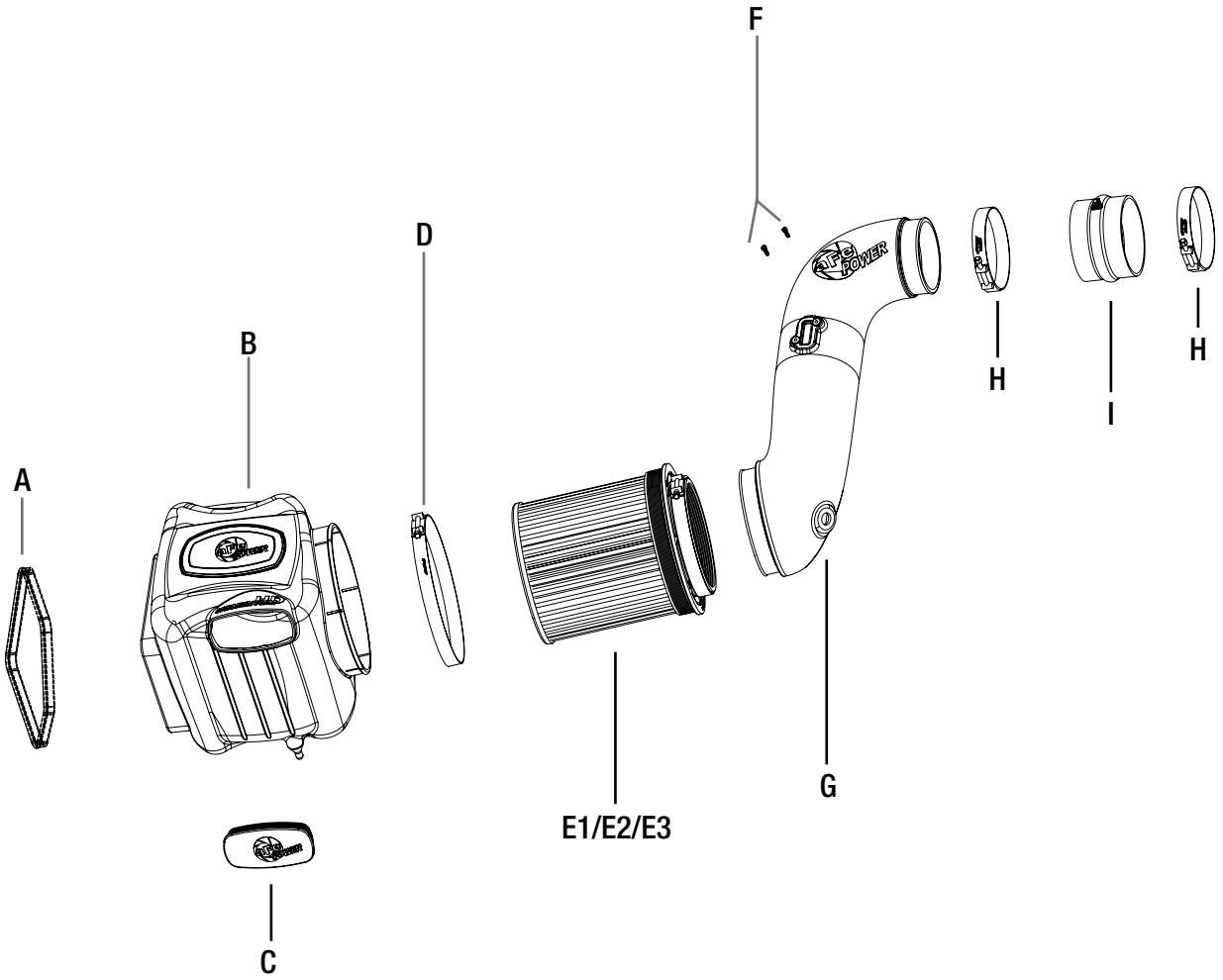


- Please read the entire instruction manual before proceeding.
- Ensure all components listed are present.
- If you are missing any of the components, call customer support.
- Ensure you have all necessary tools before proceeding.
- Do not attempt to work on your vehicle when the engine is hot.
- Disconnect the negative battery terminal before proceeding.
- Retain factory parts for future use.

| Label | Qty. | Description | Part Number |
|-------|------|----------------------------|-------------|
| A | 1 | Seal, Trim: 7/16" (26"L) | 05-00072 |
| B | 1 | Housing | 05-82302B2 |
| C | 1 | Plug, Urethane | 05-01202 |
| D | 1 | Clamp, T-bolt (8-5/16") | 03-50267 |
| E1 | 1 | PRO 5R (Blue Media) | 24-91059 |
| E2 | 1 | PRO DRY S (Grey Media) | 21-91059 |
| E3 | 1 | PRO-GUARD 7 (Yellow Media) | 72-91059 |
| F | 2 | Screw, Chs Hd: M4 | 03-50034 |
| G | 1 | Tube | 05-82312B1 |
| H | 2 | Clamp, T-bolt (4-7/16") | 03-50319 |
| I | 1 | Coupling, Silicone Hump | 05-01201 |

Installation will require the following tools:
8mm Nut driver and 10mm Nut driver.

Note: Legal in California for use on race vehicles only. The use of this device on vehicles used on public streets or highways is strictly prohibited in California and others states that have adopted California emission regulations.



**Figure A****Refer to Figure A for steps 1-3**

Step 1: Disconnect Mass Air Flow Sensor (1).

Step 2: Loosen all tube clamps using a 8mm nut driver.

Step 3: Remove the factory intake tube and air box out of the vehicle. (Use an upward pull to release the air box from its mounting grommets).



Figure B

Refer to Figure B for steps 4

Step 4: Slide the aFe filter into the air box. Install furnished T-bolt clamps. **Do not tighten at this time.**

IMPORTANT: Prior to installation of T-Bolt clamp, we recommend that you stretch the T-Bolt clamps by installing it in its intended position and tightening.



Figure C

Refer to Figure C for steps 5-7

Step 5: Install the trim seal on edge of the aFe air box (3).

Step 6: Remove the retaining plug (4) from the bottom of the factory air box.

Step 7: Install the plug on the aFe air box.



Figure D

Refer to Figure D for step 8

Step 8: Install the Momentum HD air box into the vehicle. Firmly push it into the factory mounting grommets.

**Figure E****Refer to Figure E for step 9-13**

Step 9: Remove Mass Air Flow Sensor from the factory air box.

Step 10: Install Mass Air Flow Sensor into the Momentum HD intake tube using supplied screws.

Step 11: Remove the filter minder and grommet from factory air box.

Step 12: Install factory grommet into Momentum HD intake tube, then firmly press filter minder into it.

Step 13: Install furnished silicone hump coupler and T-bolt clamps on the aFe tube. **Do not tighten clamps at this time.**



Figure F

Refer to Figure F for step 14-15

Step 14: Install the Momentum HD tube into the vehicle. Slide the coupling in the turbo inlet tube first. Then rotate the tube down and slide it into the filter.

Step 15: Tighten all clamps.



Figure G

Refer to Figure G for steps 16-17

Step 16: Re-connect the Mass Air Flow Sensor.

Step 17: Check all the components are tight and secure. Your installation is now complete. (Use furnished plug to close additional air inlet if you want to completely seal the air box.)

NOTE: Retighten all connections after approximately 100-200 miles.



Air Filters



PRO 10R P/N: 20-91059
PRO DRY S P/N: 21-91059
PRO 5R P/N: 24-91059
PRO-GUARD 7 P/N: 72-91059

Blue Aerosol Restore Kit



P/N: 90-50001

Blue Squeeze Restore Kit



P/N: 90-50501

aFe Power Backpack



P/N: 40-33203

aFe Power Diesel T-Shirt



P/N: 40-30222-G (L)
P/N: 40-30223-G (XL)
P/N: 40-30224-G (2XL)
P/N: 40-30225-G (3XL)

aFe Power Hat



P/N: 40-10114 (S/M)
P/N: 40-10115 (L/XL)

aFe Power Ladies Hat



P/N: 40-10112

Warranty

General Terms:

- aFe warrants their products to be free from manufacturer's defects due to workmanship and material.
- This warranty applies only to the original purchaser of the product and is non-transferrable.
- Proof of purchase of the aFe product is required for all warranty claims.
- Warranty is valid provided aFe instructions for installation and/or cleaning were properly followed.
- Proper maintenance with regular inspections of product is required to insure warranty coverage.
- Damage due to improper installation, abuse, unauthorized repair or alteration is not warranted.
- Incidental or consequential damages or cost, including installation and removal of part, incurred due to failure of aFe product is not covered under this warranty.
- All warranty is limited to the repair and/or replacement of the aFe part. To request Return Goods Authorization ("RGA"). Upon receipt of the RGA, you must return the product to the address provided in the RGA, freight prepaid and accompanied with a dated proof of purchase and the RGA. Upon receipt of the defective product and upon verification of proof of purchase, aFe will either repair or replace the defective product within a reasonable time, not to exceed thirty days.

| Product Category | P/N Prefix | Warranty duration |
|----------------------------------|------------------------|--------------------------|
| Direct OE Replacement Filters | 10, 11, 30, 31, 71, 73 | Life of the vehicle |
| Racing Filters | 18 | 1 year |
| Universal | 21, 24, 72 | 2 years |
| Air Intake Systems | 50, 51, 54, 55, 75 | 2 years |
| Exhaust Systems | 49 | 2 years |
| Intercoolers & Intercooler Tubes | 46-2 | 2 years |
| Intake Manifolds | 46-1 | 2 years |
| Differential Cover | 46-7 | Life of the vehicle |
| Exhaust Manifolds | 46 | 2 years |
| Throttle Body Spacers | 46-3 | 2 years |
| Fluid Filters | 44 | 90 days |
| Pre-Filters | 28 | 2 years |
| Heavy Duty OE Replacement | 70 | 2 years |
| PowerSports OE Replacement | 81, 87 | 2 years |
| PowerSports Intake Systems | 85 | 2 years |

No other warranty expressed or implied applies nor is any person or advanced FLOW engineering authorized to assume any other warranty. Some States do not allow the exclusion or limitation of incidental or consequential damages or do not allow limitations on how long an implied warranty lasts, so the above limitations or exclusions may not apply to you. This warranty gives you specific legal rights, and you may also have other rights which vary from State to State.