

# advanced FLOW engineering

## Instruction Manual P/N: 51-72204-R

Make: **Dodge** Model: **Challenger/Charger SRT Hellcat** Year: **2015-2016** Engine: **V8-6.2L (sc) HEMI**

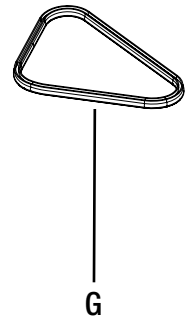
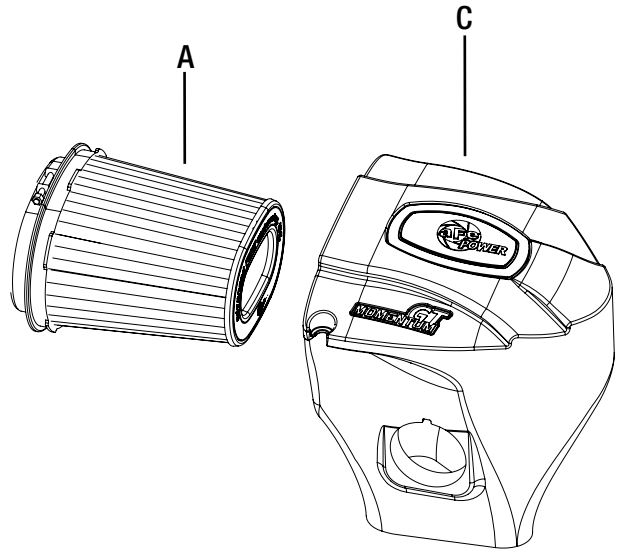
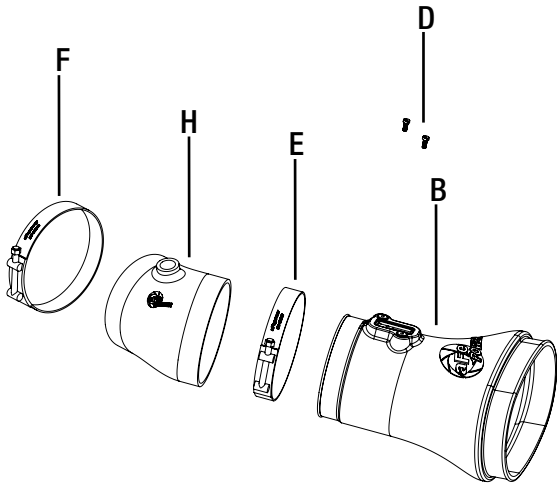


- Please read the entire instruction manual before proceeding.
- Ensure all components listed are present.
- If you are missing any of the components, call customer support.
- Ensure you have all necessary tools before proceeding.
- Do not attempt to work on your vehicle when the engine is hot.
- Disconnect the negative battery terminal before proceeding.
- Retain factory parts for future use.

Label	Qty.	Description	Part Number
A	1	Air Filter (Pro DRY S)	21-91101
B	1	Tube	05-72204R1
C	1	Housing	05-72201R2
D	2	Screw, Btn Hd Cap: M4	03-50490
E	1	Clamp, T-Bolt (4-7/16"-4-3/4")	03-50319
F	1	Clamp, T-Bolt (4-1/8"-4-1/2")	03-50262
G	1	Seal Trim 7/16" (20.5")	05-00072
H	1	Coupling, Silicone	05-01352

Tools needed: Tools needed: 8mm and 10mm nut driver or socket, flat screw driver, and T20 torx driver.

Note: Legal in California for use on race vehicles only. The use of this device on vehicles used on public streets or highways is strictly prohibited in California and others states that have adopted California emission regulations.





**Refer to Figure A for Steps 1-4**

- Step 1: Disconnect MAF sensor and breather fitting.
- Step 2: remove bolt securing the housing.
- Step 3: Untighten clamp at the throttle body.
- Step 4: For Challenger vehicle, pull the housing assembly as one piece outside of the vehicle.

REMOVAL



Figure B

**Refer to Figure B for Step 5**

Step 5: For Charger vehicle only, open the housing and remove the factory filter. Then disconnect the inlet duct and pull the bottom part of the housing outside of the vehicle. (The inlet duct is not removable)

**Figure C****Refer to Figure C for Steps 6-9**

Step 6: Transfer the grommet from the factory air box to the aFe housing.

Step 7: Install trim seal at the bottom edge of the aFe housing.

Step 8: Slide the selected filters inside the aFe housings until they lock in place. Install clamp on filter end but, do not tighten at this time.

Step 9: For Challenger vehicle only, transfer the inlet duct to the aFe housing.



Figure D

**Refer to Figure D for Steps 10-11**

Step 10: Make sure factory grommet is installed correctly into hole.

Step 11: Install aFe housing assembly into vehicle. For charger only, re-connect factory inlet duct while installing the housing in.



Figure E

**Refer to Figure E for Step 12**

Step 12: Remove the MAF sensor from factory housing and install on aFe tube. Secure it with the provided M4 screws.





**Refer to Figure F for Step 13**

Step 13: Install the coupling over the throttle body with the clamp. Do not tighten yet. Make sure it's oriented correctly.



**Refer to Figure G for Steps 14-15**

Step 14: Install the aFe tube by sliding it first into the filter then into the coupling.

Step 15: Make sure everything is aligned correctly, then tighten all clamps.



### **Refer to Figure H for Steps 16-19**

Step 16: Reconnect the breather fitting by pushing it firmly into the coupling.

Step 17: Re-install the bolt removed at Step 2 to secure the housing.

Step 18: Reconnect the MAF sensor.

Step 19: Make sure all clamps and connections are secured. Your installation is now completed.

**NOTE: Check all bolts, clamps and connectors after 200 miles.**



Pro DRY S Air Filter



P/N: 21-91101

Pro 5R Air Filter



P/N: 24-91101

Pro DRY S Restore Kit



P/N: 90-59999

Blue Squeeze Restore Kit



P/N: 90-50501

Blue Aerosol Restore Kit



P/N: 90-50001

Long Tube Headers



P/N: 48-32014-YC (Street)  
48-32014-YN (Race)

Sprint Booster



P/N: 77-12001 (M/T)  
77-12002 (A/T)

aFe Gear



P/N: 46-30261 (S)  
40-30382 (M)  
40-30383 (L)  
40-30384 (XL)  
40-30385 (2XL)

# Warranty

## General Terms:

- aFe warrants their products to be free from manufacturer's defects due to workmanship and material.
- This warranty applies only to the original purchaser of the product and is nontransferable.
- Proof of purchase of the aFe product is required for all warranty claims.
- Warranty is valid provided aFe instructions for installation and/or cleaning were properly followed.
- Proper maintenance with regular inspections of product is required to insure warranty coverage.
- Damage due to improper installation, abuse, unauthorized repair or alteration is not warranted.
- Incidental or consequential damages or cost, including installation and removal of part, incurred due to failure of aFe product is not covered under this warranty.
- All warranty is limited to the repair and/or replacement of the aFe part. To request Return Goods Authorization ("RGA"). Upon receipt of the RGA, you must return the product to the address provided in the RGA, freight prepaid and accompanied with a dated proof of purchase and the RGA. Upon receipt of the defective product and upon verification of proof of purchase, aFe will either repair or replace the defective product within a reasonable time, not to exceed thirty days.

<b>Product Category</b>	<b>P/N Prefix</b>	<b>Warranty duration</b>
Direct OE Replacement Filters	10, 11, 30, 31, 71, 73	Life of the vehicle
Racing Filters	18	1 year
Universal	21, 24, 72	2 years
Air Intake Systems	50, 51, 54, 55, 75	2 years
Exhaust Systems	49	2 years
Intercoolers & Intercooler Tubes	46-2	2 years
Intake Manifolds	46-1	2 years
Differential Cover	46-7	Life of the vehicle
Exhaust Manifolds	46	2 years
Throttle Body Spacers	46-3	2 years
Fluid Filters	44	90 days
Pre-Filters	28	2 years
Heavy Duty OE Replacement	70	2 years
PowerSports OE Replacement	81, 87	2 years
PowerSports Intake Systems	85	2 years

No other warranty expressed or implied applies nor is any person or advanced FLOW engineering authorized to assume any other warranty. Some States do not allow the exclusion or limitation of incidental or consequential damages or do not allow limitations on how long an implied warranty lasts, so the above limitations or exclusions may not apply to you. This warranty gives you specific legal rights, and you may also have other rights which vary from State to State.