

advanced FLOW engineering

Instruction Manual P/N: 51-72203 / 54-72203

Make: **Dodge** Model: **Challenger / Charger SRT-8** Year: **2011-2017** Engine: **V8-6.4L HEMI**

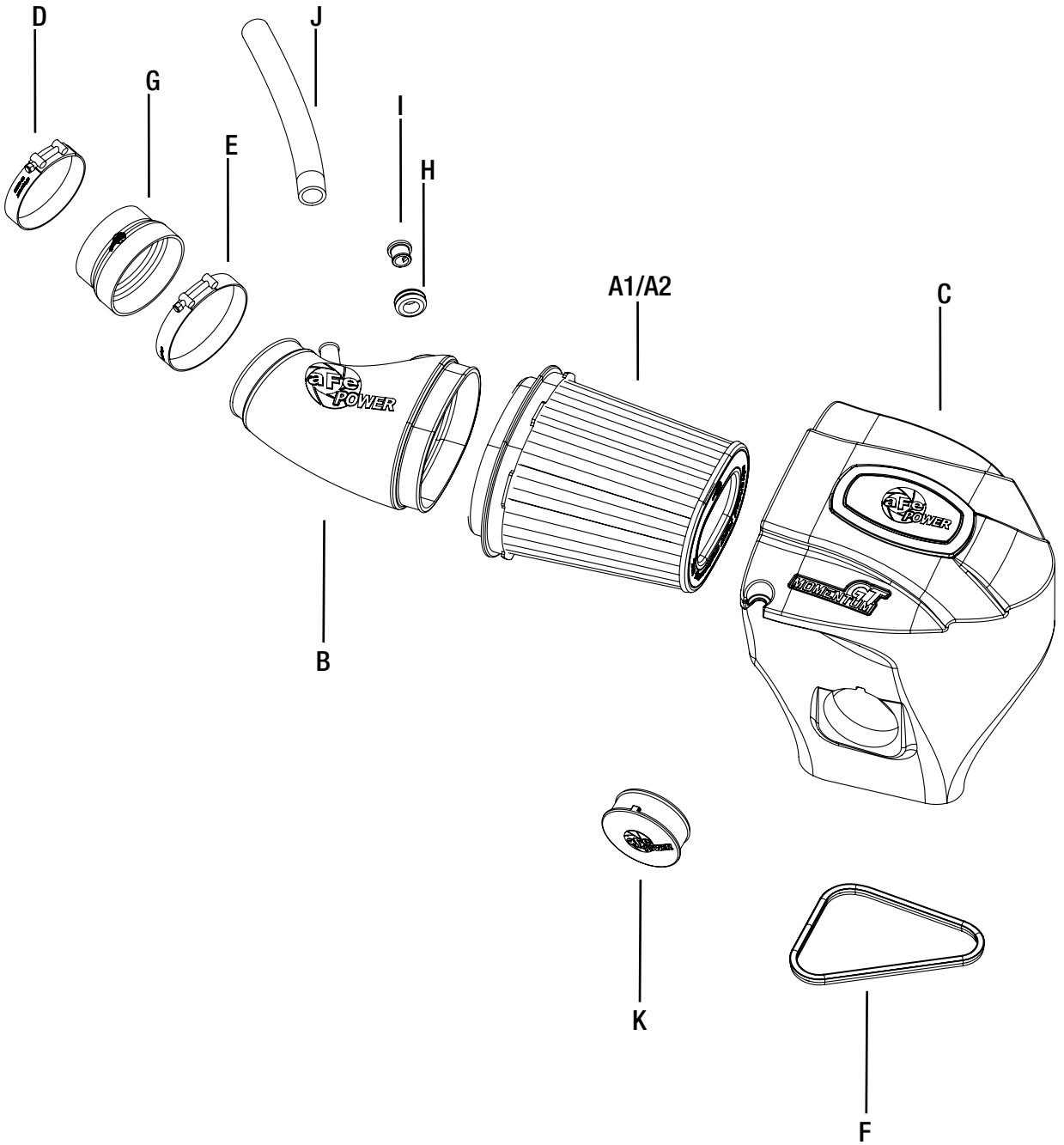


- Please read the entire instruction manual before proceeding.
- Ensure all components listed are present.
- If you are missing any of the components, call customer support.
- Ensure you have all necessary tools before proceeding.
- Do not attempt to work on your vehicle when the engine is hot.
- Disconnect the negative battery terminal before proceeding.
- Retain factory parts for future use.

Label	Qty.	Description	Part Number
A1	1	Air Filter (Pro DRY S)	21-91092 (Grey Media)
A2	1	Air Filter (Pro-5R)	24-91092 (Blue Media)
B	1	Tube	05-72203B1
C	1	Housing	05-72201B2
D	1	Clamp, T-Bolt (3-3/4"-4-1/16")	03-50265
E	1	Clamp, T-Bolt (4-1/8"-4-1/2")	03-50262
F	1	Seal Trim 7/16" (20.5")	05-00072
G	1	Coupling, Silicone Reducer	05-01358
H	1	Grommet	03-50167
I	1	Fitting, Air Temp Sensor	05-01336
J	1	Hose 3/4" (6.5")	05-00070
K	1	Plug, Housing	05-01361

Tools needed: Tools needed: 8mm and 10mm nut driver or socket, flat screw driver, and T20 torx driver.

Note: Legal in California for use on race vehicles only. The use of this device on vehicles used on public streets or highways is strictly prohibited in California and others states that have adopted California emission regulations.



**Figure A****Refer to Figure A for Steps 1-5**

Step 1: Remove 8mm bolt off the factory air box.

Step 2: Loosen clamp off the factory intake tube.

Step 3: Unplug Temp sensor.

Step 4: Remove driver side engine valve cover off, and remove crank case hose off.

Step 5: Pull the factory intake air system out of engine bay.

**Figure B****Refer to Figure B for Steps 6-8**

Step 6: Transfer the grommet from the factory air box to the aFe housing.

Step 7: Install the trim seal on the bottom edge of the aFe housing.

Step 8: Slide the aFe filter inside the aFe housing until it locks in place. Install clamp on the filter end but do not tighten at this time



Figure C

Refer to Figure C for Step 9

Step 9: For the 2015 challenger, if you wish to use the headlight inlet duct, pop the cap off the center of the headlight and install on the aFe housing the aFe inlet duct (Sold Separately, P/N: 54-72203-S). For all other vehicle, leave the housing inlet open to get more air or close it off with the furnished plug to block off the hot engine air.



Figure D

Refer to Figure D for Steps 10-12

Step 10: Make sure factory grommet is installed correctly into hole.

Step 11: Install aFe housing assembly into vehicle.

Step 12: Install coupling with clamps over the throttle body. Do not tighten yet.

**Figure E****Refer to Figure E for Steps 13-15**

Step 13: Install grommet into hole in aFe tube then press the aluminum fitting in it.

Step 14: Remove the temperature sensor from the factory tube. Secure it into the aluminum fitting by turning clockwise.

Step 15: Install furnished hose onto aFe tube.



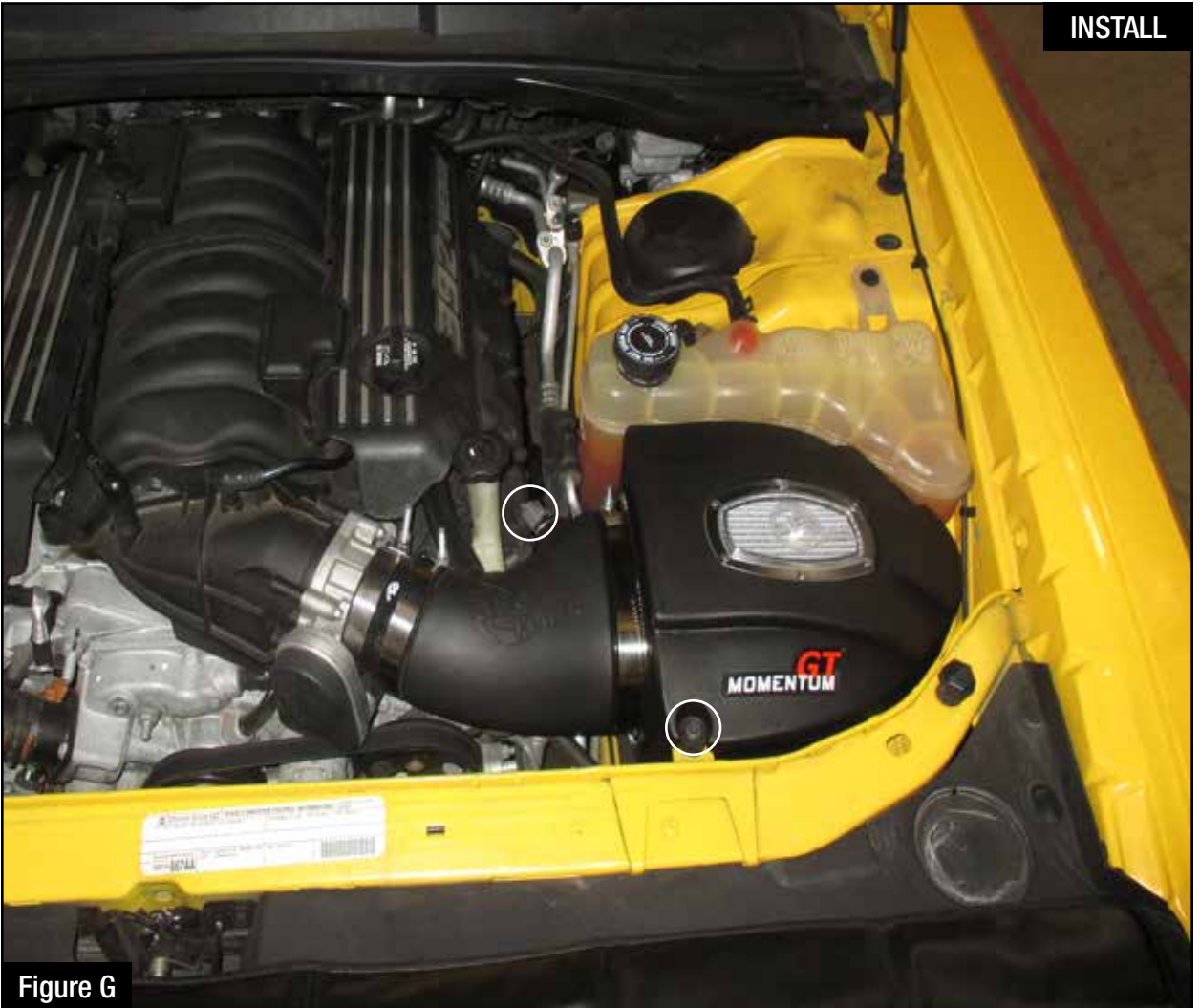
Figure F

Refer to Figure F for Steps 16-18

Step 16: install the tube into the vehicle by sliding it first into the filter then into the coupling.

Step 17: Connect the crank case hose to the valve.

Step 18: Align tube correctly, then tighten all clamps

**Figure G****Refer to Figure G for Steps 19-21**

Step 19: Re-connect the temperature sensor.

Step 20: Re-install the factory bolt removed at step 1 to secure the housing.

Step 21: Re-install the valve cover.

Your installation is now completed. Thank you for choosing aFePower.



Pro DRY S Air Filter



P/N: 21-91092

Pro 5R Air Filter



P/N: 24-91092

Pro DRY S Restore Kit



P/N: 90-59999

Blue Squeeze Restore Kit



P/N: 90-50501

Blue Aerosol Restore Kit



P/N: 90-50001

Twisted Steel Header



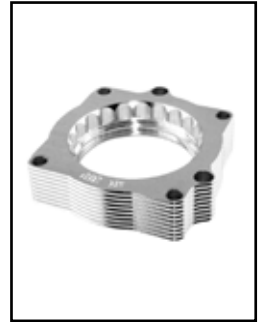
P/N: 48-32007-YC

Twisted Steel Header



P/N: 48-42202

Throttle Body Spacer



P/N: 46-32007

Cat-Back Exhaust



P/N: 49-42028

Module



P/N: 77-12001 (M/T)
P/N: 77-12002 (A/T)

Y-Pipe Exhaust



P/N: 48-42005

Dynamic Air Scoop



P/N: 54-72203 S

Warranty

General Terms:

- aFe warrants their products to be free from manufacturer's defects due to workmanship and material.
- This warranty applies only to the original purchaser of the product and is nontransferable.
- Proof of purchase of the aFe product is required for all warranty claims.
- Warranty is valid provided aFe instructions for installation and/or cleaning were properly followed.
- Proper maintenance with regular inspections of product is required to insure warranty coverage.
- Damage due to improper installation, abuse, unauthorized repair or alteration is not warranted.
- Incidental or consequential damages or cost, including installation and removal of part, incurred due to failure of aFe product is not covered under this warranty.
- All warranty is limited to the repair and/or replacement of the aFe part. To request Return Goods Authorization ("RGA"). Upon receipt of the RGA, you must return the product to the address provided in the RGA, freight prepaid and accompanied with a dated proof of purchase and the RGA. Upon receipt of the defective product and upon verification of proof of purchase, aFe will either repair or replace the defective product within a reasonable time, not to exceed thirty days.

Product Category	P/N Prefix	Warranty duration
Direct OE Replacement Filters	10, 11, 30, 31, 71, 73	Life of the vehicle
Racing Filters	18	1 year
Universal	21, 24, 72	2 years
Air Intake Systems	50, 51, 54, 55, 75	2 years
Exhaust Systems	49	2 years
Intercoolers & Intercooler Tubes	46-2	2 years
Intake Manifolds	46-1	2 years
Differential Cover	46-7	Life of the vehicle
Exhaust Manifolds	46	2 years
Throttle Body Spacers	46-3	2 years
Fluid Filters	44	90 days
Pre-Filters	28	2 years
Heavy Duty OE Replacement	70	2 years
PowerSports OE Replacement	81, 87	2 years
PowerSports Intake Systems	85	2 years

No other warranty expressed or implied applies nor is any person or advanced FLOW engineering authorized to assume any other warranty. Some States do not allow the exclusion or limitation of incidental or consequential damages or do not allow limitations on how long an implied warranty lasts, so the above limitations or exclusions may not apply to you. This warranty gives you specific legal rights, and you may also have other rights which vary from State to State.

Buy quality performance air intake systems in our online store.