

advanced FLOW engineering

Instruction Manual P/N: 51-72102 / 54-72102

Make: **Dodge/RAM** Model: **1500** Year: **09-17** Engine: **V8-5.7L HEMI**



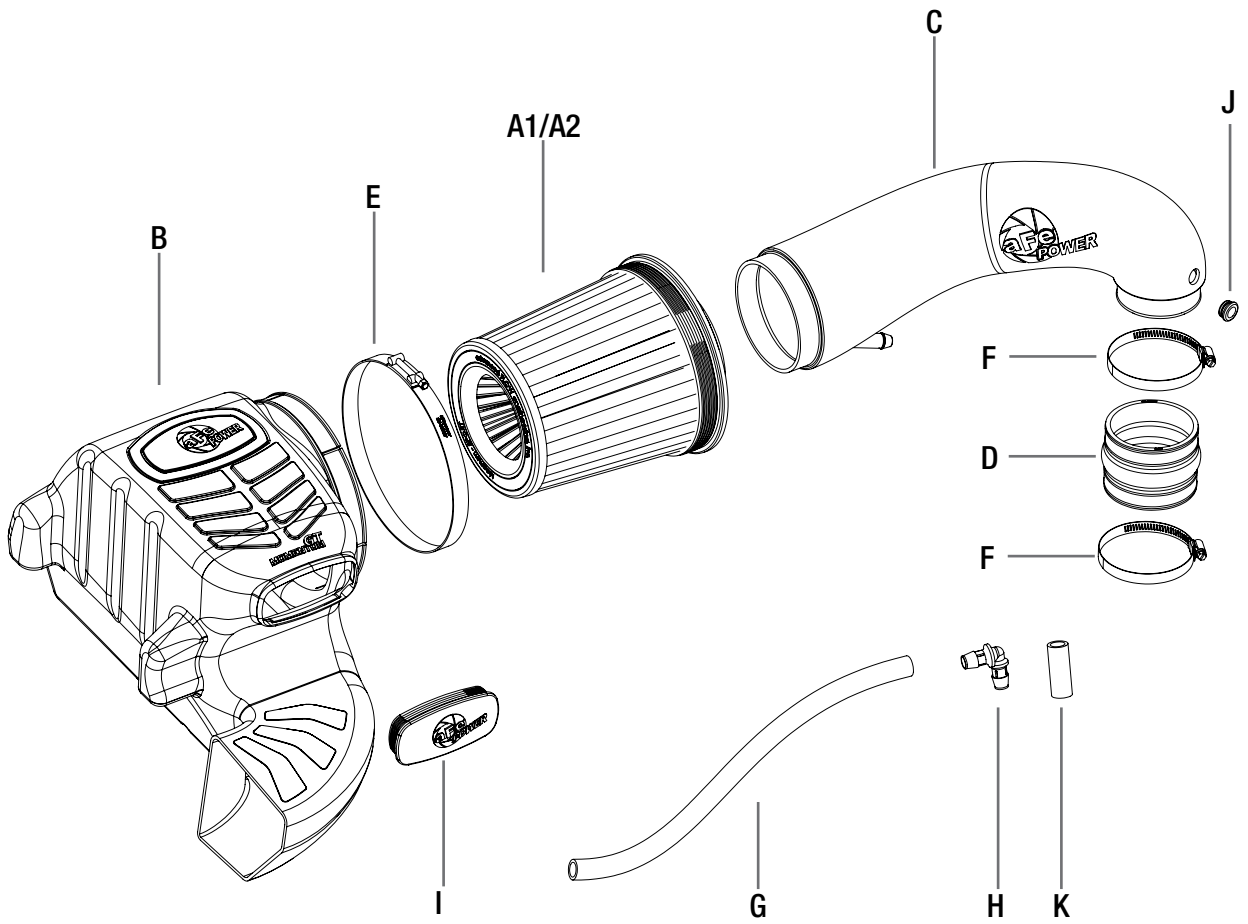
- Please read the entire instruction manual before proceeding.
- Ensure all components listed are present.
- If you are missing any of the components, call customer support.
- Ensure you have all necessary tools before proceeding.
- Do not attempt to work on your vehicle when the engine is hot.
- Disconnect the negative battery terminal before proceeding.

Retain factory parts for future use.

Label	Qty.	Description	Part Number
A1	1	Pro DRY S Air Filter	21-91072 (Gray Media)
A2	1	Pro 5R Air Filter	24-91072 (Blue Media)
B	1	Housing	05-72102B2
C	1	Tube	05-72102B1
D	1	Coupling Hump 3.5"	05-00565
E	1	Clamp, T-bolt 8-5/16" - 8 5/8" SS	03-50267
F	2	Clamp 056	03-50009
G	1	Hose, 5/8" x 24"	05-00069
H	1	Fitting, elbow, 5/8"	03-50165
I	1	Plug	05-01202
J	1	Grommet	03-50033
K	1	Hose, 5/8" x 2 1/4"	05-00069

Installation will require the following tools:
1/4" ratchet, 10mm deep socket, 8mm or 5/16" driver.

Note: Legal in California for use on race vehicles only. The use of this device on vehicles used on public streets or highways is strictly prohibited in California and others states that have adopted California emission regulations.



**Figure A****Refer to Figure A for steps 1-3**

Step 1: Disconnect temperature sensor harness ①.

Step 2: Remove and save temperature sensor using a ¼ turn counter-clockwise twist. Do not damage.

Step 3: Loosen the inlet tube clamps and remove tube.



Figure B

Refer to Figure B for steps 4-6

Step 4: Remove Engine cover.

Step 5: Remove vent tube from air box and engine vent (2).

Step 6: Lift air box up and rotate towards the front for the scoop to clear the air condition lines (3).



Figure C

Refer to Figure C for step 7

Step 7: Transfer 3 of the rubber mounting grommets from the OE air box to the aFe filter housing as shown (4).



Figure D

Refer to Figure D for steps 8-10

Step 8: Start housing installation as shown in the left picture.

Step 9: Lower the aFe filter housing into position with the scoop pointed downward and rotate to clear the air condition lines.

Step 10: Slip over the mounting pegs and firmly press down to seat housing.

**Figure E****Refer to Figure E for steps 11-13**

Step 11: Install large T-bolt clamp on aFe Momentum housing as shown (5).

Step 12: Install air filter into housing as shown and tighten large T-bolt clamp.

Step 13: Slide smaller T-bolt clamp over filter flange as shown but do not tighten at this time (6).

**Figure G****Refer to Figure G for step 14**

Step 14: Install the provided sensor grommet into the aFe inlet tube and carefully push in the sensor (7).

Note: It may help to apply a small amount of lubricant to the inside of the rubber grommet.

**Figure H****Refer to Figure H for step 15**

Step 15: Install the provided 5/8 x 2 1/4 hose (8), 5/8 elbow (9), and 5/8 x 24" hose (10) onto the engine vent fitting.

Note: Use a lubricant on both ends of elbow.



Figure I

Refer to Figure I for steps 16-17

Step 16: Reinstall engine cover.

Step 17: Place hump coupler and (2) #056 clamps onto throttle body, do not tighten at this time (11)

**Figure J****Refer to Figure J for steps 19-21**

Step 19: Install aFe intake tube in filter first then insert smaller tube end into 3-1/2" coupling.

Step 20: Connect vent hose by reaching under engine cover and pushing onto tube vent (12).

Step 21: Tighten all clamps.

Note: Use a lubricant on outside of tube vent.



Figure K

Refer to Figure K for step 22

Step 22: Reconnect temperature sensor harness (13).

*Your installation is now complete.

Note: Retighten all connections after approximately 100-200 miles.



PRO DRY S Air Filter



P/N: 21-91072

PRO 5R Air Filter



P/N: 24-91072

Pro DRY S Restore Kit



P/N: 90-50001

Blue Squeeze Restore Kit



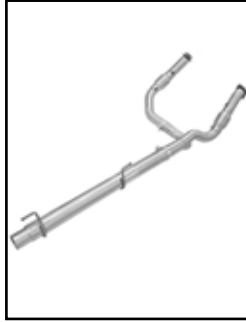
P/N: 90-50501

Twisted Steel Headers



P/N: 48-42001

Y-Pipe Exhaust



P/N: 49-02003 (Street)
49-42004 (Race)

Cat-Back Exhaust



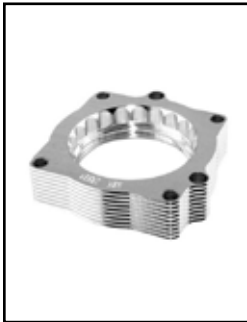
P/N: 49-42041-B (Black)
49-42041-P (Polish)

Differential Cover



P/N: 46-70272 (Black)
46-70270 (Raw)

Throttle Body Spacer



P/N: 46-32005

Warranty

General Terms:

- aFe warrants their products to be free from manufacturer's defects due to workmanship and material.
- This warranty applies only to the original purchaser of the product and is non-transferrable.
- Proof of purchase of the aFe product is required for all warranty claims.
- Warranty is valid provided aFe instructions for installation and/or cleaning were properly followed.
- Proper maintenance with regular inspections of product is required to insure warranty coverage.
- Damage due to improper installation, abuse, unauthorized repair or alteration is not warranted.
- Incidental or consequential damages or cost, including installation and removal of part, incurred due to failure of aFe product is not covered under this warranty.
- All warranty is limited to the repair and/or replacement of the aFe part. To request Return Goods Authorization ("RGA"). Upon receipt of the RGA, you must return the product to the address provided in the RGA, freight prepaid and accompanied with a dated proof of purchase and the RGA. Upon receipt of the defective product and upon verification of proof of purchase, aFe will either repair or replace the defective product within a reasonable time, not to exceed thirty days.

Product Category	P/N Prefix	Warranty duration
Direct OE Replacement Filters	10, 11, 30, 31, 71, 73	Life of the vehicle
Racing Filters	18	1 year
Universal	21, 24, 72	2 years
Air Intake Systems	50, 51, 54, 55, 75	2 years
Exhaust Systems	49	2 years
Intercoolers & Intercooler Tubes	46-2	2 years
Intake Manifolds	46-1	2 years
Differential Cover	46-7	Life of the vehicle
Exhaust Manifolds	46	2 years
Throttle Body Spacers	46-3	2 years
Fluid Filters	44	90 days
Pre-Filters	28	2 years
Heavy Duty OE Replacement	70	2 years
PowerSports OE Replacement	81, 87	2 years
PowerSports Intake Systems	85	2 years

No other warranty expressed or implied applies nor is any person or advanced FLOW engineering authorized to assume any other warranty. Some States do not allow the exclusion or limitation of incidental or consequential damages or do not allow limitations on how long an implied warranty lasts, so the above limitations or exclusions may not apply to you. This warranty gives you specific legal rights, and you may also have other rights which vary from State to State.