

advanced FLOW engineering

Instruction Manual P/N: 51-32112-B / 54-32112-B / 75-32112-B

Make: **Ford** Model: **F-150** Year: **2012-2014** Engine: **V6-3.5L (tt) EcoBoost**



- Please read the entire instruction manual before proceeding.
- Ensure all components listed are present.
- If you are missing any of the components, call customer support.
- Ensure you have all necessary tools before proceeding.
- Do not attempt to work on your vehicle when the engine is hot.
- Disconnect the negative battery terminal before proceeding.
- Retain factory parts for future use.

Label	Qty.	Description	Part Number
A1	1	Air Filter (Pro DRY S)	21-91040
A2	1	Air Filter (Pro 5R)	24-91040
A3	1	Air Filter (Pro-GUARD 7)	72-91040
B	1	Tube	05-32112B1
C	1	Housing	05-32112B2
D	1	Coupling, Silicone Reducer	05-01331
E	1	Coupling, Silicone Hump	05-01332
F	2	Clamp #064	03-50006
G	1	Clamp #052	03-50008
H	1	Clamp #044	03-50019
I	2	M6 Flat Washer	03-50070
J	3	M6 Lock Washer	03-50071
K	1	Screw M6 x 1 x 16	03-50052
L	1	Seal Trim: (24" in.)	05-00072
M	1	M6 Washer (12mm OD x 6.4mm ID)	03-50177
N	2	M6 Screw M6 x 1 x 25	03-50114

Tools required: 8mm nut driver, 10mm socket, extension & ratchet, 5/32" or 4mm socket (6-point) & ratchet.

Note: Legal in California for use on race vehicles only. The use of this device on vehicles used on public streets or highways is strictly prohibited in California and others states that have adopted California emission regulations.

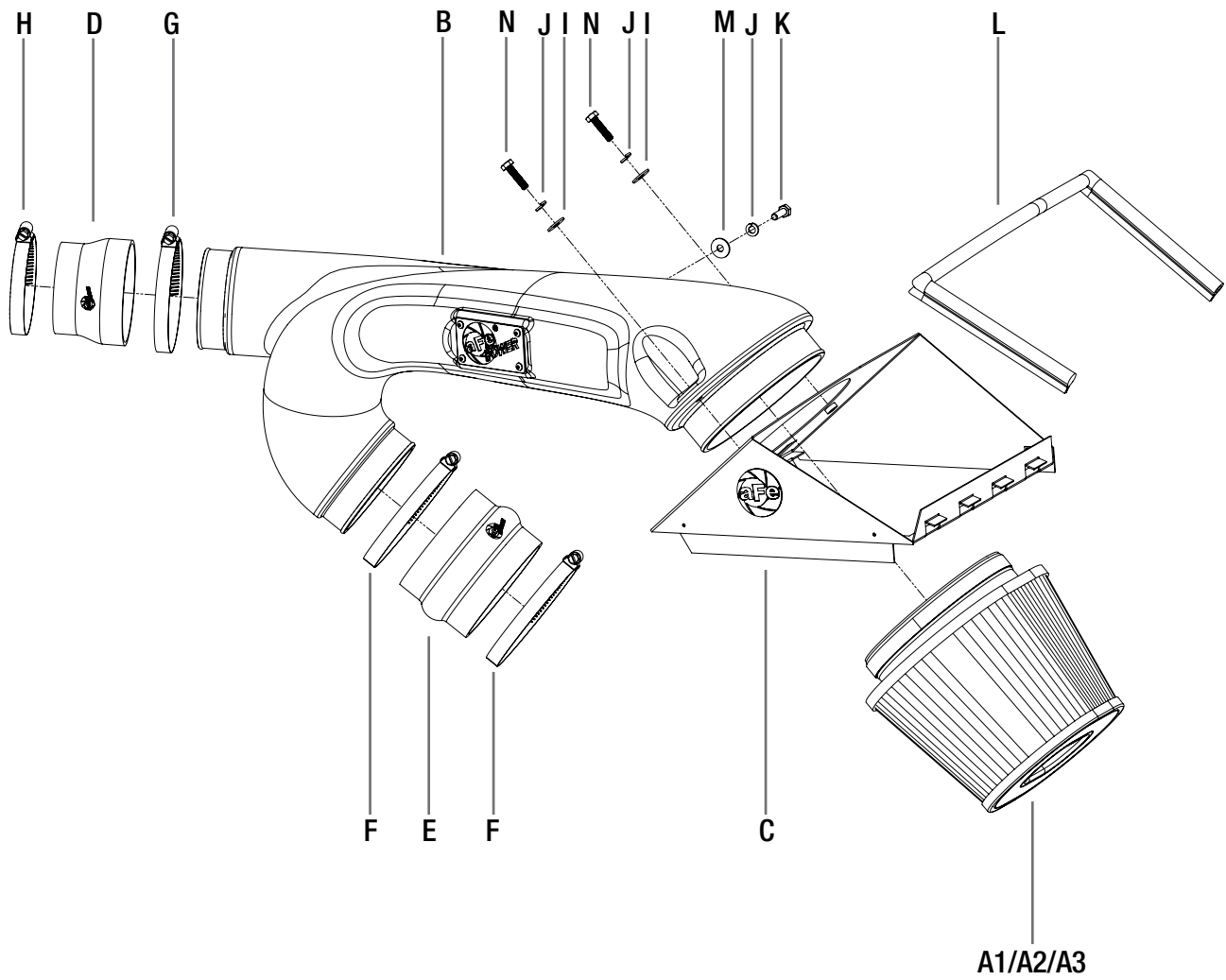




Figure A

Refer to Figure A for Step 1

Step1: Loosen the two clamps on the ends of the intake tube.

**Figure B****Refer to Figure E for Steps 2-3**

Step 2: Disconnect the electrical harness from the temperature sensor located on the top of the air box, but do not remove the sensor at this time to prevent accidental drops or damage.

Step 3: Unclip the three clips on the air box and remove the tube and intake cover as one assembly.



Refer to Figure C for Step 4

Step 4: Remove the stock air filter from the air box.

**Figure D****Refer to Figure D for Steps 5-6**

Step 5: Remove the stud from the temperature sensor using a 5/32" or 4mm 6-point socket.

Step 6: Pull the Temperature sensor out of the factory air box and set it in a safe place.



Figure E

Refer to Figure E for Step 7

Step 7: Attach the new aFe intake tube to the housing using the supplied M6x25mm long bolts, M6 lock washers, and large M6 flat washers. The Flat washer should rest against the plastic intake tube.



Refer to Figure F for Step 8

Step 8: Attach the trim seal to the housing and make sure that it is secure all the way around. The precut notches in the trim seal should be placed in the corners so that the trim seal can form easily to the shape of the air box.



Figure G

Refer to Figure G for Step 9

Step 9: Install the aFe air filter onto the end of the intake tube through the bottom of the housing. Align the filter so that the flat edge on the urethane flange is parallel to the front edge of the sheet metal housing.



Figure H

Refer to Figure H for Step 10

Step 10: Install the temperature sensor into the new aFe intake tube and secure it using the M6 x 16mm bolt, M6 lock washer, and small M6 flat washer.

**Figure 1****Refer to Figure 1 for Step 11**

Step 11: Install the couplers and clamps onto the factory intake tubes. The reducer coupling goes on the upper intake tube and will use the 044 clamp and the 056 clamp. The straight hump coupler will go on the lower intake tube and it will use the two 064 clamps.



Figure J

Refer to Figure J for Step 12

Step 12: Install the intake assembly into the truck. Line up the tabs on the housing to the proper locations in the factory air box, then align the two ends of the intake tubes into the couplers. Make sure that the clamps are loose before sliding the tube into the couplings.



Figure K

Refer to Figure K for Step 13

Step 13: Plug in the temperature sensor harness. Make sure that the wire cannot contact any moving components such as the accessory belt or the cooling fan.



Figure L

Refer to Figure L for Steps 14-16

Step 14: Clip the two outside clips to secure the housing to the factory air box.

Step 15: Tighten all clamps and check all hardware at this time.

Step 16: Check all the components are tight and secure. Your installation is now complete.

NOTE: Check all bolts, clamps, and connectors after 200 miles.



Pro DRY S Air Filter



P/N: 21-91040

Pro 5R Air Filter



P/N: 24-91040

Pro-GUARD 7 Air Filter



P/N: 72-91040

Pre Filter



P/N: 28-10133

Pro DRY S Restore Kit



P/N: 90-59999

Blue Squeeze Restore Kit



P/N: 90-50501

Gold Squeeze Restore Kit



P/N: 90-50500

Intercooler w/ Tubes



P/N: 46-20122-B ('11-'12)
46-20162-B ('13-'14)

Exhaust System



P/N: 49-43056-B (Blk Tips)
49-43056-P (Pol Tips)

Front Coilovers



P/N: 301-5600-07

Throttle Body Spacer



P/N: 46-33017

Exhaust Y-Pipe



P/N: 48-43006 (Street)
48-43007 (Race)

Warranty

General Terms:

- aFe warrants their products to be free from manufacturer's defects due to workmanship and material.
- This warranty applies only to the original purchaser of the product and is nontransferable.
- Proof of purchase of the aFe product is required for all warranty claims.
- Warranty is valid provided aFe instructions for installation and/or cleaning were properly followed.
- Proper maintenance with regular inspections of product is required to insure warranty coverage.
- Damage due to improper installation, abuse, unauthorized repair or alteration is not warranted.
- Incidental or consequential damages or cost, including installation and removal of part, incurred due to failure of aFe product is not covered under this warranty.
- All warranty is limited to the repair and/or replacement of the aFe part. To request Return Goods Authorization ("RGA"). Upon receipt of the RGA, you must return the product to the address provided in the RGA, freight prepaid and accompanied with a dated proof of purchase and the RGA. Upon receipt of the defective product and upon verification of proof of purchase, aFe will either repair or replace the defective product within a reasonable time, not to exceed thirty days.

Product Category	P/N Prefix	Warranty duration
Direct OE Replacement Filters	10, 11, 30, 31, 71, 73	Life of the vehicle
Racing Filters	18	1 year
Universal	21, 24, 72	2 years
Air Intake Systems	50, 51, 54, 55, 75	2 years
Exhaust Systems	49	2 years
Intercoolers & Intercooler Tubes	46-2	2 years
Intake Manifolds	46-1	2 years
Differential Cover	46-7	Life of the vehicle
Exhaust Manifolds	46	2 years
Throttle Body Spacers	46-3	2 years
Fluid Filters	44	90 days
Pre-Filters	28	2 years
Heavy Duty OE Replacement	70	2 years
PowerSports OE Replacement	81, 87	2 years
PowerSports Intake Systems	85	2 years

No other warranty expressed or implied applies nor is any person or advanced FLOW engineering authorized to assume any other warranty. Some States do not allow the exclusion or limitation of incidental or consequential damages or do not allow limitations on how long an implied warranty lasts, so the above limitations or exclusions may not apply to you. This warranty gives you specific legal rights, and you may also have other rights which vary from State to State.