

**advanced FLOW engineering**

**Instruction Manual** P/N: 51-12492 / 54-12492

Make: **VW** Model: **Jetta** Year: **2009-2014** Engine: **L5-2.5L**



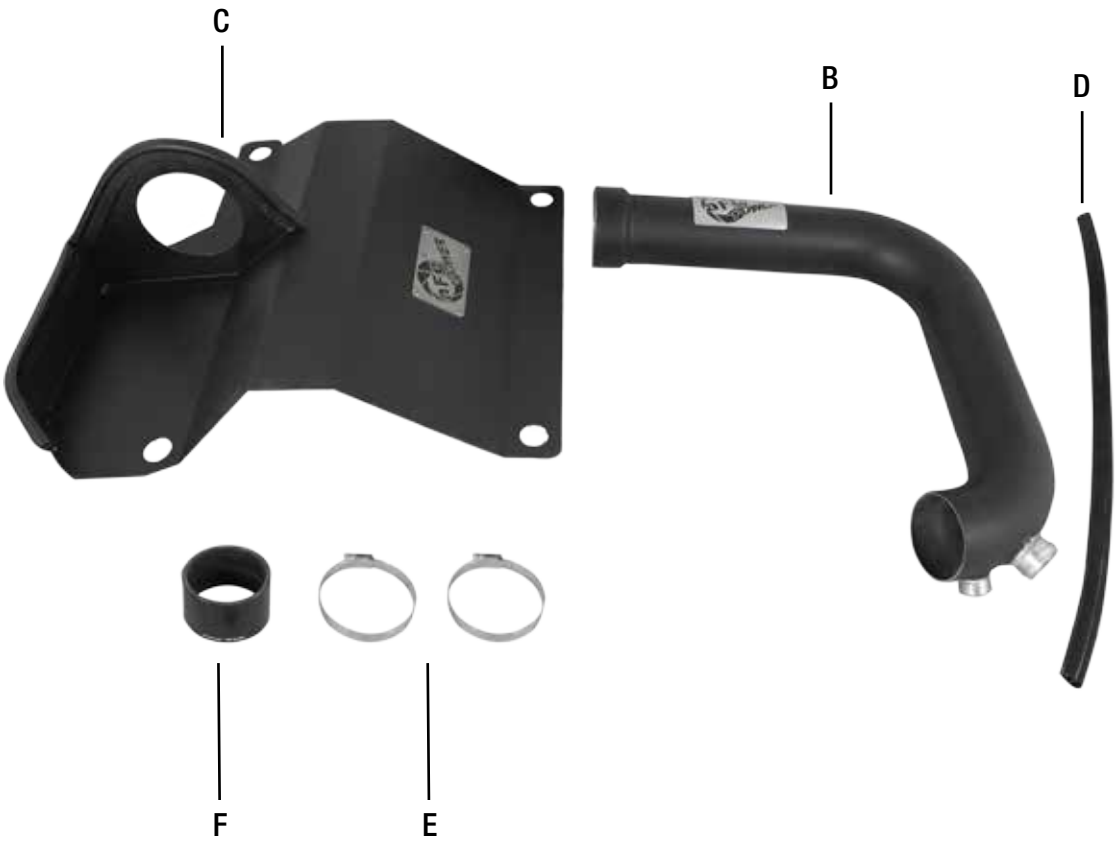
- Please read the entire instruction manual before proceeding.
- Ensure all components listed are present.
- If you are missing any of the components, call customer support.
- Ensure you have all necessary tools before proceeding.
- Do not attempt to work on your vehicle when the engine is hot.
- Disconnect the negative battery terminal before proceeding.

## Retain factory parts for future use.

Label	Qty.	Description	Part Number
A1	1	Air Filter (Pro DRY S)	21-90081 Grey Media
A2	1	Air Filter (Pro-5R)	24-90081 Blue Media
B	1	Tube	05-12492B1
C	1	Housing	05-12492B2
D	1	Trim Seal	05-00072
E	2	Clamp 48	03-50007
F	1	Coupling, Straight	05-01106

Tools needed: Philips Head Screw Driver, Torx 15, 8mm Nut Driver, Panel Popper, & Pliers.

**Note:** Not legal for use in California. The use of this device in any on-road or off-road vehicles registered with the California Dept of Motor Vehicles (DMV) is strictly prohibited.



**Figure A****Refer to Figure A for Steps 1-4**

Step 1: Remove the two screws holding the air scoop in place.

Step 2: Unplug the Smog Pump and Crank Case breather.

Step 3: Using pliers, squeeze the pressure clamp open and pull the OE tube from the throttle body.

Step 4: Remove the engine cover by pulling up from the back side near the firewall and work it loose.

Then pull up on the front side and remove it out of the vehicle.



Figure B

**Refer to Figure B for Steps 5-6**

Step 5: Transfer the OE grommets of the OE engine cover and install onto the aFe housing.

Step 6: Install the aFe housing onto the OE mounting locations.



**Figure C****Refer to Figure C for Steps 7-8**

Step 7: Install aFe filter onto the aFe housing along with trim seal. Make sure housing is sealed in filter retention groove.

Step 8: Install aFe coupling onto throttle body with clamps. Do not tighten yet.



Figure D

**Refer to Figure D for Steps 9-11**

Step 9: Install aFe intake tube into filter and coupling.

Step 10: Re-connect smog pump and crank case breather.

Step 11: Verify all clamps are secure and re-check periodically. Your Installation is now complete.



Pro DRY S Air Filter



P/N: 21-90081

Pro 5R Air Filter



P/N: 24-90081

Pro DRY S Restore Kit



P/N: 90-59999

Blue Squeeze Restore Kit



P/N: 90-50501

Blue Aerosol Restore Kit



P/N: 90-50001

aFe G-Shock Watch



P/N: 40-10125

Black Flashlight LED



P/N: 40-10131

aFe Power Hat



P/N: 40-10083



# Warranty

## General Terms:

- aFe warrants their products to be free from manufacturer's defects due to workmanship and material.
- This warranty applies only to the original purchaser of the product and is nontransferable.
- Proof of purchase of the aFe product is required for all warranty claims.
- Warranty is valid provided aFe instructions for installation and/or cleaning were properly followed.
- Proper maintenance with regular inspections of product is required to insure warranty coverage.
- Damage due to improper installation, abuse, unauthorized repair or alteration is not warranted.
- Incidental or consequential damages or cost, including installation and removal of part, incurred due to failure of aFe product is not covered under this warranty.
- All warranty is limited to the repair and/or replacement of the aFe part. To request Return Goods Authorization ("RGA"). Upon receipt of the RGA, you must return the product to the address provided in the RGA, freight prepaid and accompanied with a dated proof of purchase and the RGA. Upon receipt of the defective product and upon verification of proof of purchase, aFe will either repair or replace the defective product within a reasonable time, not to exceed thirty days.

<b>Product Category</b>	<b>P/N Prefix</b>	<b>Warranty duration</b>
Direct OE Replacement Filters	10, 11, 30, 31, 71, 73	Life of the vehicle
Racing Filters	18	1 year
Universal	21, 24, 72	2 years
Air Intake Systems	50, 51, 54, 55, 75	2 years
Exhaust Systems	49	2 years
Intercoolers & Intercooler Tubes	46-2	2 years
Intake Manifolds	46-1	2 years
Differential Cover	46-7	Life of the vehicle
Exhaust Manifolds	46	2 years
Throttle Body Spacers	46-3	2 years
Fluid Filters	44	90 days
Pre-Filters	28	2 years
Heavy Duty OE Replacement	70	2 years
PowerSports OE Replacement	81, 87	2 years
PowerSports Intake Systems	85	2 years

No other warranty expressed or implied applies nor is any person or advanced FLOW engineering authorized to assume any other warranty. Some States do not allow the exclusion or limitation of incidental or consequential damages or do not allow limitations on how long an implied warranty lasts, so the above limitations or exclusions may not apply to you. This warranty gives you specific legal rights, and you may also have other rights which vary from State to State.

Buy quality performance air intake systems in our online store.