

advanced FLOW engineering

Instruction Manual P/N: 51-12032 / 54-12032 / 75-12032 & 75-12032-0V

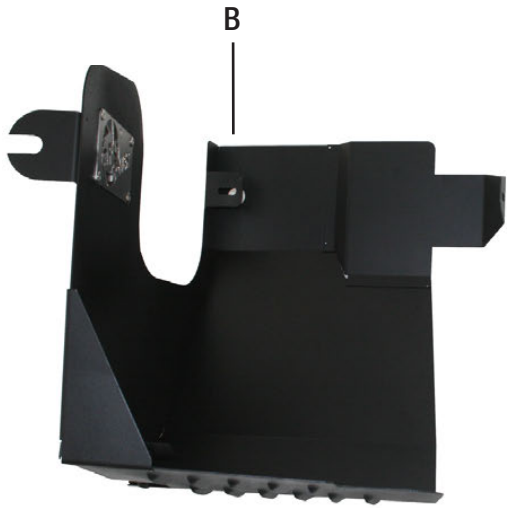
Make: **Dodge** Model: **RAM 2500/3500** Year: **2010-2012** Engine: **L6-6.7L (td) Cummins**



- Please read the entire instruction manual before proceeding.
- Ensure all components listed are present.
- If you are missing any of the components, call customer support.
- Ensure you have all necessary tools before proceeding.
- Do not attempt to work on your vehicle when the engine is hot.
- Disconnect the negative battery terminal before proceeding.
- Retain factory parts for future use.

Label	Qty.	Description	Part Number
A1	1	Pro DRY S Air Filter	21-91046 (Gray Media)
A2	1	Pro 5R Air Filter	24-91046 (Blue Media)
A3	1	Pro Guard-7 Air Filter	72-91046 (Gold Media)
B	1	Housing	05-12032B2
C	1	Tube	05-12032B1
D	2	Washer, Flat M6	03-50070
E	2	Screw, Hex Head M6	05-50052
F	1	Washer, Lock	03-50071
G	2	Clamp #64	03-50006
H	3	Screw, Slotted	03-50045
I	1	Gasket, MAF sensor	05-01177
J	1	Gasket, Temp Sensor	05-01176
K	1	Coupling, Straight	05-00715
L	1	Seal, Trim (22.5 Inches)	05-00007
M	1	Seal, Trim (11 Inches)	05-00007
N	1	Grommet	03-50167

Note: Legal in California for use on race vehicles only. The use of this device on vehicles used on public streets or highways is strictly prohibited in California and others states that have adopted California emission regulations.



B



C



K



G



L



M



A1



A2



A3

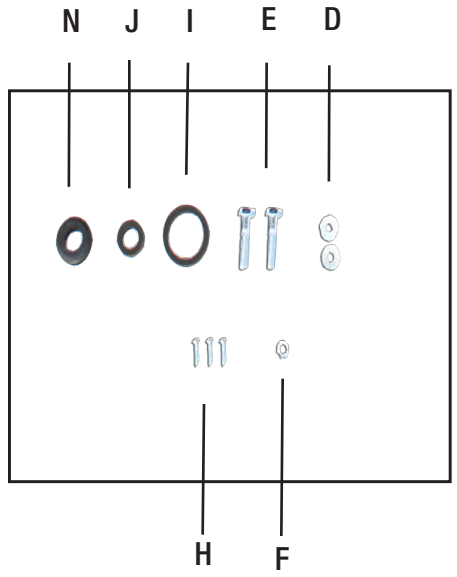




Figure A

Refer to Figure A for Steps 1-2

Step 1: Remove the bolt holding the air box down. ①

Step 2: Disconnect the wiring harness from the Mass air flow sensor and temperture sensor. ②

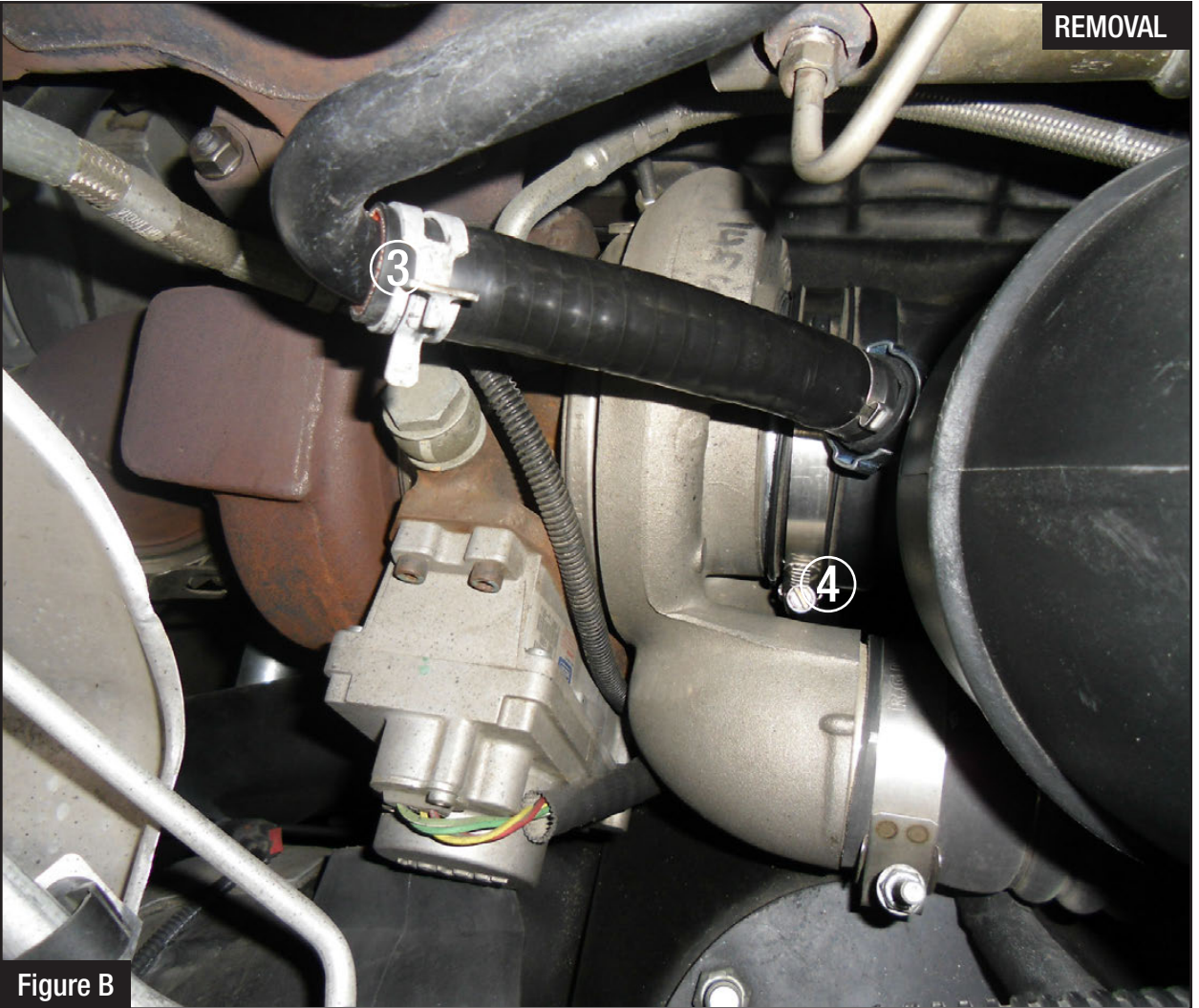
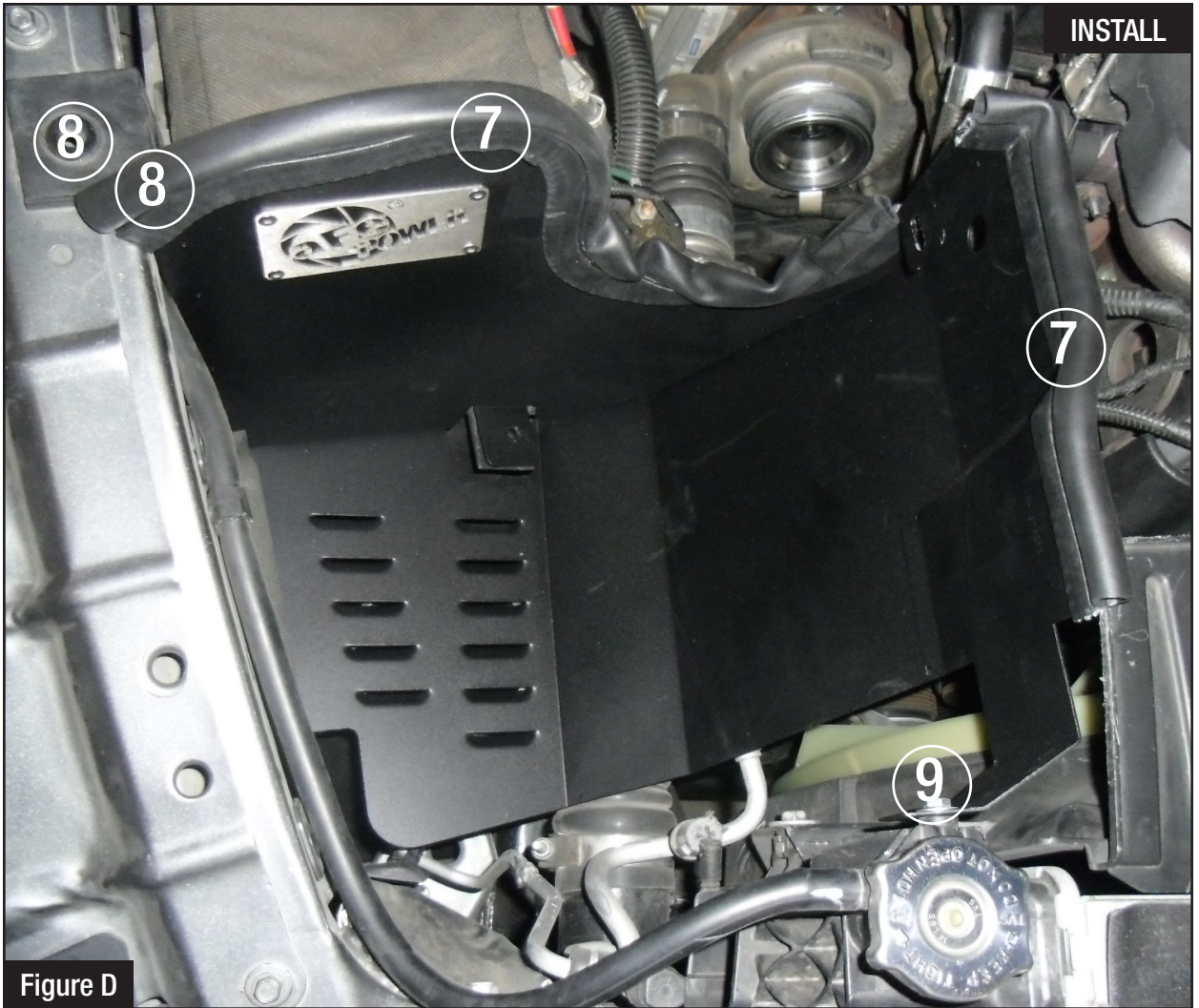


Figure B

Refer to Figure B for Steps 3-4

Step 3: Disconnect the crank case vent line (3) using pliers.

Step 4: Loosen the clamp holding the intake tube to the turbocharger (4) and lift the entire intake system out of the vehicle.



Refer to Figure D for Steps 7-9

Step 7: Install supplied trim seal onto your aFe housing (7).

Step 8: Place your housing into position like shown while lifting the battery rack tap (8) and slide the mounting tab under the battery rack tab and install and tighten bolts removed in step 5 & 6.

Step 9: With the M6 hardware supplied, mount the housing to the radiator mount like shown (9).

**Figure E****Refer to Figure E for Steps 10-13**

Step 10: Remove the Mass air flow sensor and temperature sensor from your oe intake tube and install them to your new aFe intake tube with the gaskets supplied (10).

Step 11: Remove the crank case vent line from your factory intake tube by prying open the metal clamp with a flat blade screwdriver.

Step 12: With the clamps provided, install the silicone coupling onto the end of the intake tube (11)

Step 13: Install the supplied grommet into the intake tube and firmly push the crank (12) case fitting into it for a snug seal.



Figure F

Refer to Figure F for Steps 14-15

Step 14: Place the intake tube into position and push the lower tube onto the turbo.

Step 15: With the M6 screw and washer, hard-mount the intake tube to the heat shield (13).



Figure G

Refer to Figure G for Steps 16-18

Step 16: Tighten both clamps to secure the intake tube to the turbocharger (14).

Step 17: Re-attach the crank case line you removed in step 3 (15).

Step 18: Connect the Mass air flow sensor and temperature harnesses.



Refer to Figure H for Steps 19-21

Step 19: Install the aFe performance air filter using the supplied clamp.

Step 20: Re-connect batteries.

Step 21. Verify all connections are secure, your installation is now complete.

*Verify all connections are secure 100-200 miles after installation.



Pro DRY S Air Filter



P/N: 21-91046

Pro 5R Air Filter



P/N: 24-91046

ProGuard-7 Air Filter



P/N: 72-91046

Pro DRY S Restore Kit



P/N: 90-59999

Blue Squeeze Restore Kit



P/N: 90-50501

Blue Aerosol Restore Kit



P/N: 90-50001

aFe Key Chain



P/N: 40-10103

aFe Power Hat



P/N: 40-10083

Warranty

General Terms:

- aFe warrants their products to be free from manufacturer's defects due to workmanship and material.
- This warranty applies only to the original purchaser of the product and is non-transferrable.
- Proof of purchase of the aFe product is required for all warranty claims.
- Warranty is valid provided aFe instructions for installation and/or cleaning were properly followed.
- Proper maintenance with regular inspections of product is required to insure warranty coverage.
- Damage due to improper installation, abuse, unauthorized repair or alteration is not warranted.
- Incidental or consequential damages or cost, including installation and removal of part, incurred due to failure of aFe product is not covered under this warranty.
- All warranty is limited to the repair and/or replacement of the aFe part. To request Return Goods Authorization ("RGA"). Upon receipt of the RGA, you must return the product to the address provided in the RGA, freight prepaid and accompanied with a dated proof of purchase and the RGA. Upon receipt of the defective product and upon verification of proof of purchase, aFe will either repair or replace the defective product within a reasonable time, not to exceed thirty days.

Product Category	P/N Prefix	Warranty duration
Direct OE Replacement Filters	10, 11, 30, 31, 71, 73	Life of the vehicle
Racing Filters	18	1 year
Universal	21, 24, 72	2 years
Air Intake Systems	50, 51, 54, 55, 75	2 years
Exhaust Systems	49	2 years
Intercoolers & Intercooler Tubes	46-2	2 years
Intake Manifolds	46-1	2 years
Differential Cover	46-7	Life of the vehicle
Exhaust Manifolds	46	2 years
Throttle Body Spacers	46-3	2 years
Fluid Filters	44	90 days
Pre-Filters	28	2 years
Heavy Duty OE Replacement	70	2 years
PowerSports OE Replacement	81, 87	2 years
PowerSports Intake Systems	85	2 years

No other warranty expressed or implied applies nor is any person or advanced FLOW engineering authorized to assume any other warranty. Some States do not allow the exclusion or limitation of incidental or consequential damages or do not allow limitations on how long an implied warranty lasts, so the above limitations or exclusions may not apply to you. This warranty gives you specific legal rights, and you may also have other rights which vary from State to State.