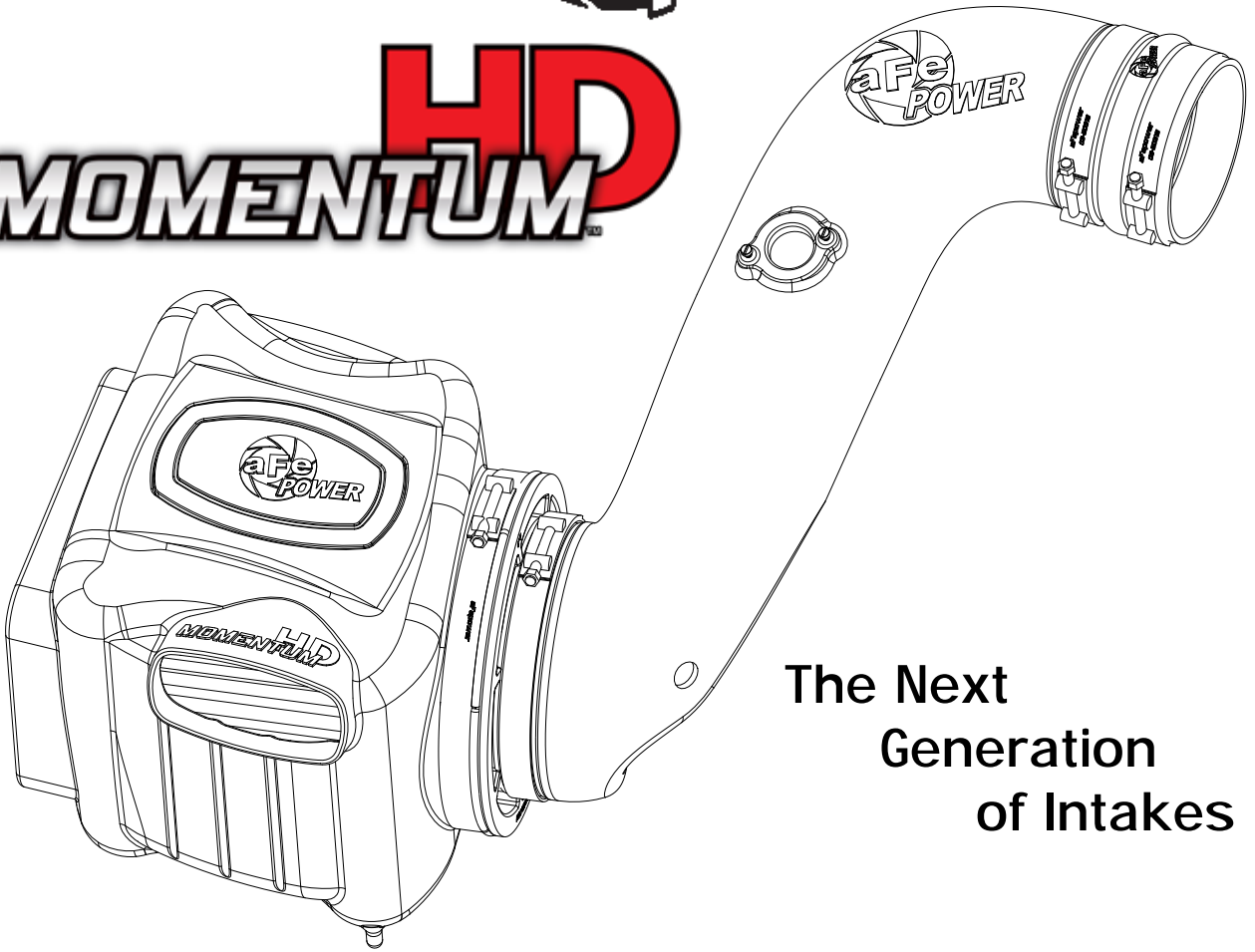




**HD**  
**MOMENTUM™**



**The Next  
Generation  
of Intakes**

**advanced FLOW engineering**

**Instruction Manual** P/N: 50-74003

Make: **GM** Model: **Silverado/Sierra HD** Year: **2006-2007** Engine: **V8-6.6L (td) LLY/LBZ**



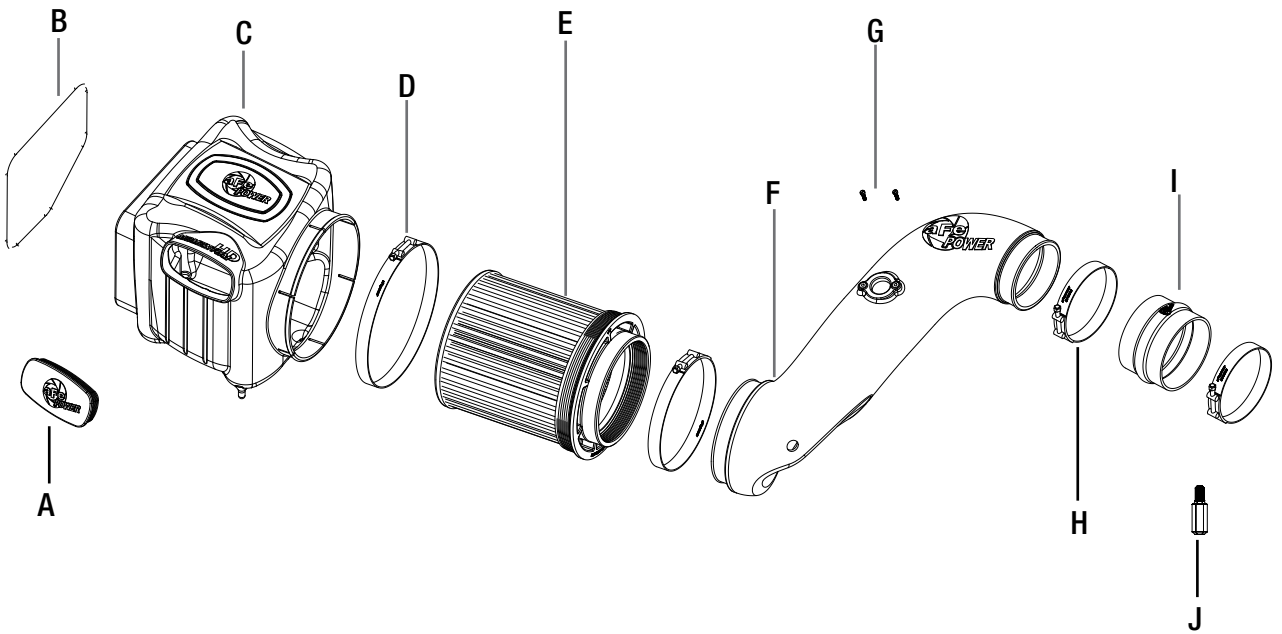
- Please read the entire instruction manual before proceeding.
- Ensure all components listed are present.
- If you are missing any of the components, call technical support.
- Ensure you have all necessary tools before proceeding.
- Do not attempt to work on your vehicle when the engine is hot.
- Disconnect both the negative battery terminal before proceeding.
- Retain factory parts for future use.

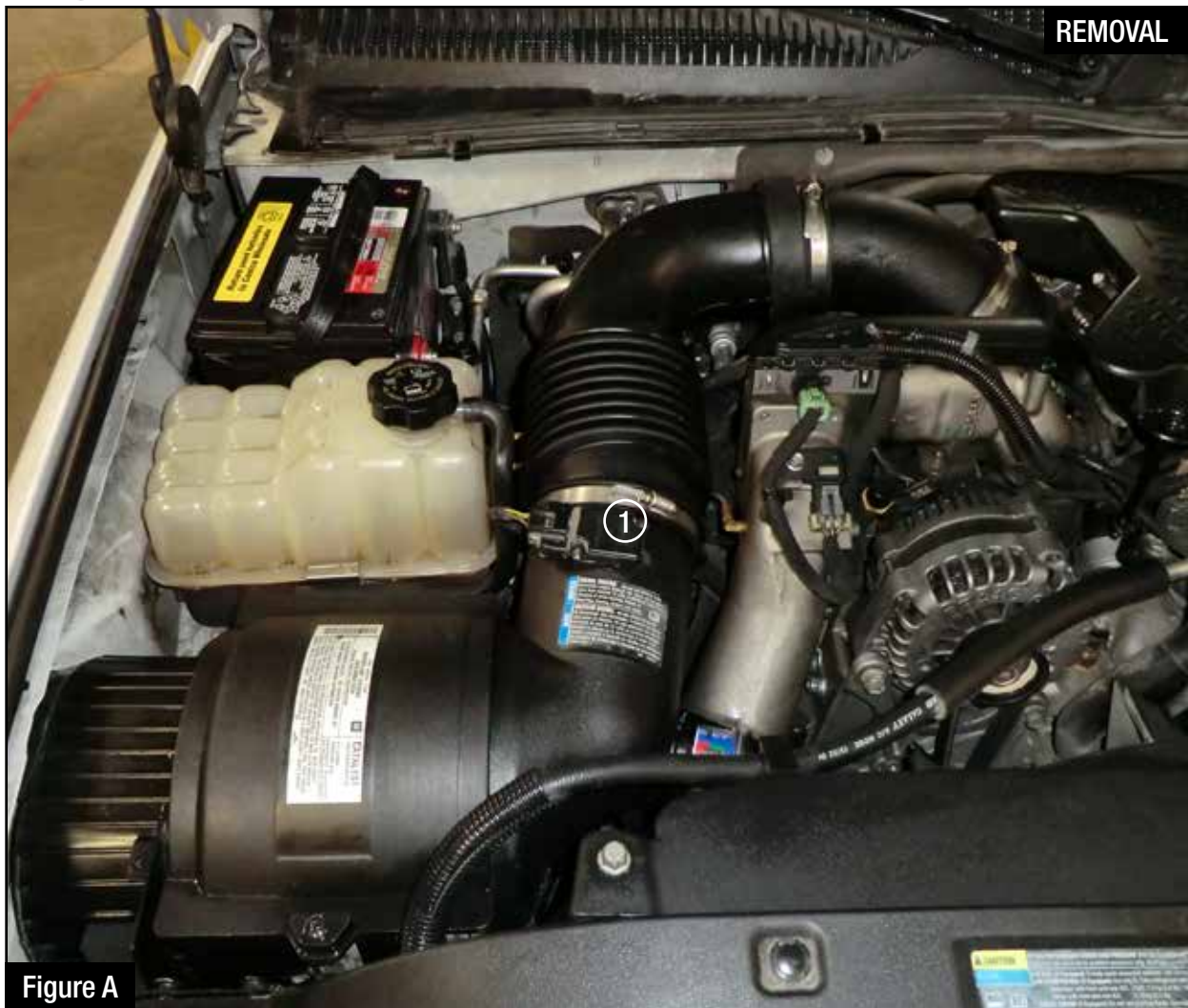
| Label | Qty. | Description             | Part Number |
|-------|------|-------------------------|-------------|
| A     | 1    | Plug, Urethane          | 05-01202    |
| B     | 1    | Seal Trim - 26"         | 05-00072    |
| C     | 1    | Housing                 | 05-74003B2  |
| D     | 1    | Clamp, T-bolt (8-5/16") | 03-50267    |
| E     | 1    | PRO 10R (Blue Media)    | 20-91059    |
| F     | 1    | Tube                    | 05-74003B1  |
| G     | 2    | Screw, M4               | 03-50034    |
| H     | 2    | Clamp, T-bolt (4-7/16") | 03-50319    |
| I     | 1    | Coupling, Silicone Hump | 05-01201    |
| J     | 1    | T20 Torx Bit            | 03-50066    |

Installation will require the following tools:

8mm Nut Driver, Flat Head Screw driver, 10mm Socket, Ratchet and Extension.

**Note:** Legal in California for use on race vehicles only. The use of this device on vehicles used on public streets or highways is strictly prohibited in California and others states that have adopted California emission regulations.





**Refer to Figure A for steps 1-4**

Step 1: Disconnect both batteries.

Step 2: Disconnect Mass Air Flow sensor (MAF) (1).

Step 3: Loosen all intake tube clamps using a 8mm nut driver.

Step 4: Remove the factory intake tube and air box out of the vehicle. (Use an upward pull to release the air box from its mounting grommets)



Figure B

**Refer to Figure B for step 5**

**NOTE:** Wipe the filter flange with acetone to remove excess oil.

Step 5: Slide the air filter (E) into the air box (C). Install supplied T-bolt clamps (D) & (E).  
(Do not tighten clamps at this time)

**IMPORTANT:** Prior to installation of T-bolt clamp, we recommend that you stretch the T-bolt clamps by installing it in its intended position and tightening.





Figure C

**Refer to Figure C for steps 6 & 7**

Step 6: Install the trim seal (B) on the edge of the Momentum HD air box.

Step 7: Remove the retaining plug (2) from the factory air box and install on the Momentum HD air box.



Figure D

**Refer to Figure D for step 9**

Step 9: Install the Momentum HD air box into the vehicle. Firmly push down into the factory mounting grommets.


**Figure E**
**Refer to Figure E for steps 10-14**

Step 10: Remove the MAF sensor (3) from the factory intake tube using T-20 torx bit.

Step 11: Remove the filter minder (4) and the grommet it sits in from the factory air box.

Step 12: Install the MAF sensor in the Momentum intake tube (F) using supplied screws (G).

Step 13: Install the factory grommet for the filter minder into the Momentum HD intake tube.

Firmly push the filter minder into the grommet on the intake tube to install it.

Step 14: Install the furnished silicone hump coupler (I) and the T-bolt clamps (H) on the Momentum HD intake tube. (Do not tighten clamps at this time)





Figure F

**Refer to Figure F for steps 15 & 16**

Step 15: Install the Momentum HD intake tube into the vehicle. Slide the coupling on to the turbo inlet first. Then rotate the tube down and slide it into the filter.

Step 16: Tighten all the T-bolt clamps.



Figure G

**Refer to Figure G for steps 17-19**

Step 17: Reconnect the MAF sensor.

Step 18: Check all the components are tight and secured.

Step 19: Reconnect the batteries. Your installation is now complete.

*Use the furnished plug (B) to close off the front auxiliary air inlet to completely seal the airbox.*

**NOTE:** *Retighten all connections after approximately 100-200 miles.*



**Air Filter**



PRO 10R P/N: 20-91059  
PRO DRY S P/N: 21-91059  
PRO GUARD 7 P/N: 72-91059

**Pre-Filter**



P/N: 28-10273

**Blue Aerosol Restore Kit**



P/N: 90-50001

**Blue Squeeze Restore Kit**



P/N: 90-50501

**aFe Power Diesel T-Shirt**



P/N: 40-30222 (L)  
P/N: 40-30223 (XL)  
P/N: 40-30224 (2XL)  
P/N: 40-30225 (3XL)

**aFe Power Hat**



P/N: 40-10114 (S/M)  
P/N: 40-10115 (L/XL)

**aFe Power Ladies Hat**



P/N: 40-10112

**aFe Power Backpack**



P/N: 40-33203

# Warranty

## General Terms:

- aFe warrants their products to be free from manufacturer's defects due to workmanship and material.
- This warranty applies only to the original purchaser of the product and is non-transferrable.
- Proof of purchase of the aFe product is required for all warranty claims.
- Warranty is valid provided aFe instructions for installation and/or cleaning were properly followed.
- Proper maintenance with regular inspections of product is required to insure warranty coverage.
- Damage due to improper installation, abuse, unauthorized repair or alteration is not warranted.
- Incidental or consequential damages or cost, including installation and removal of part, incurred due to failure of aFe product is not covered under this warranty.
- All warranty is limited to the repair and/or replacement of the aFe part. To request Return Goods Authorization ("RGA"). Upon receipt of the RGA, you must return the product to the address provided in the RGA, freight prepaid and accompanied with a dated proof of purchase and the RGA. Upon receipt of the defective product and upon verification of proof of purchase, aFe will either repair or replace the defective product within a reasonable time, not to exceed thirty days.

| <b>Product Category</b>          | <b>P/N Prefix</b>      | <b>Warranty duration</b> |
|----------------------------------|------------------------|--------------------------|
| Direct OE Replacement Filters    | 10, 11, 30, 31, 71, 73 | Life of the vehicle      |
| Racing Filters                   | 18                     | 1 year                   |
| Universal                        | 21, 24, 72             | 2 years                  |
| Air Intake Systems               | 50, 51, 54, 55, 75     | 2 years                  |
| Exhaust Systems                  | 49                     | 2 years                  |
| Intercoolers & Intercooler Tubes | 46-2                   | 2 years                  |
| Intake Manifolds                 | 46-1                   | 2 years                  |
| Differential Cover               | 46-7                   | Life of the vehicle      |
| Exhaust Manifolds                | 46                     | 2 years                  |
| Throttle Body Spacers            | 46-3                   | 2 years                  |
| Fluid Filters                    | 44                     | 90 days                  |
| Pre-Filters                      | 28                     | 2 years                  |
| Heavy Duty OE Replacement        | 70                     | 2 years                  |
| PowerSports OE Replacement       | 81, 87                 | 2 years                  |
| PowerSports Intake Systems       | 85                     | 2 years                  |

No other warranty expressed or implied applies nor is any person or advanced FLOW engineering authorized to assume any other warranty. Some States do not allow the exclusion or limitation of incidental or consequential damages or do not allow limitations on how long an implied warranty lasts, so the above limitations or exclusions may not apply to you. This warranty gives you specific legal rights, and you may also have other rights which vary from State to State.