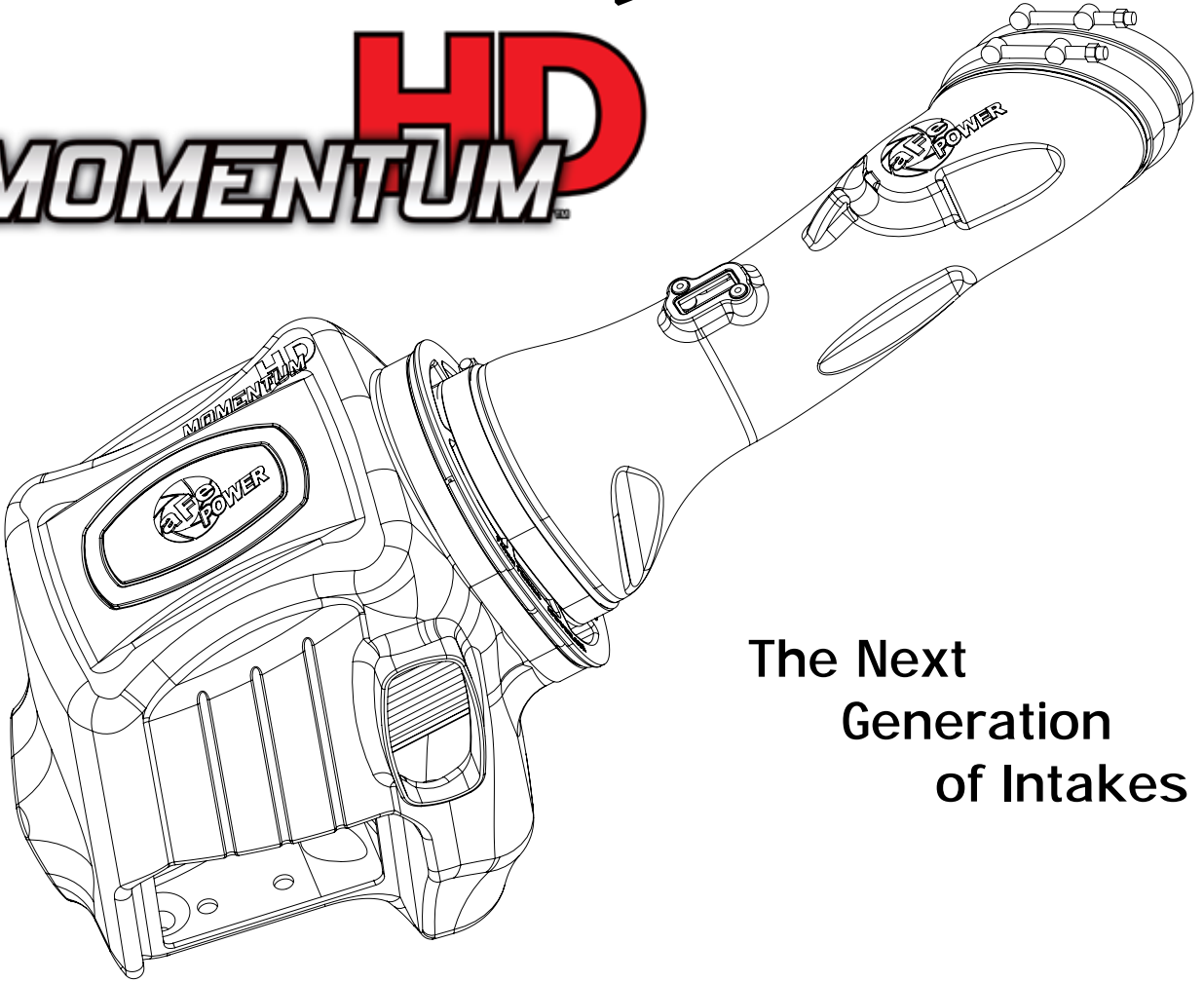


MOMENTUM **HD**



The Next
Generation
of Intakes

advanced FLOW engineering

Instruction Manual P/N: 50-73005-1 / 51-73005-1

Make: **FORD** Model: **F-250/350/450/550** Year: **2011-2016** Engine: **V8-6.7L (td) POWER STROKE**

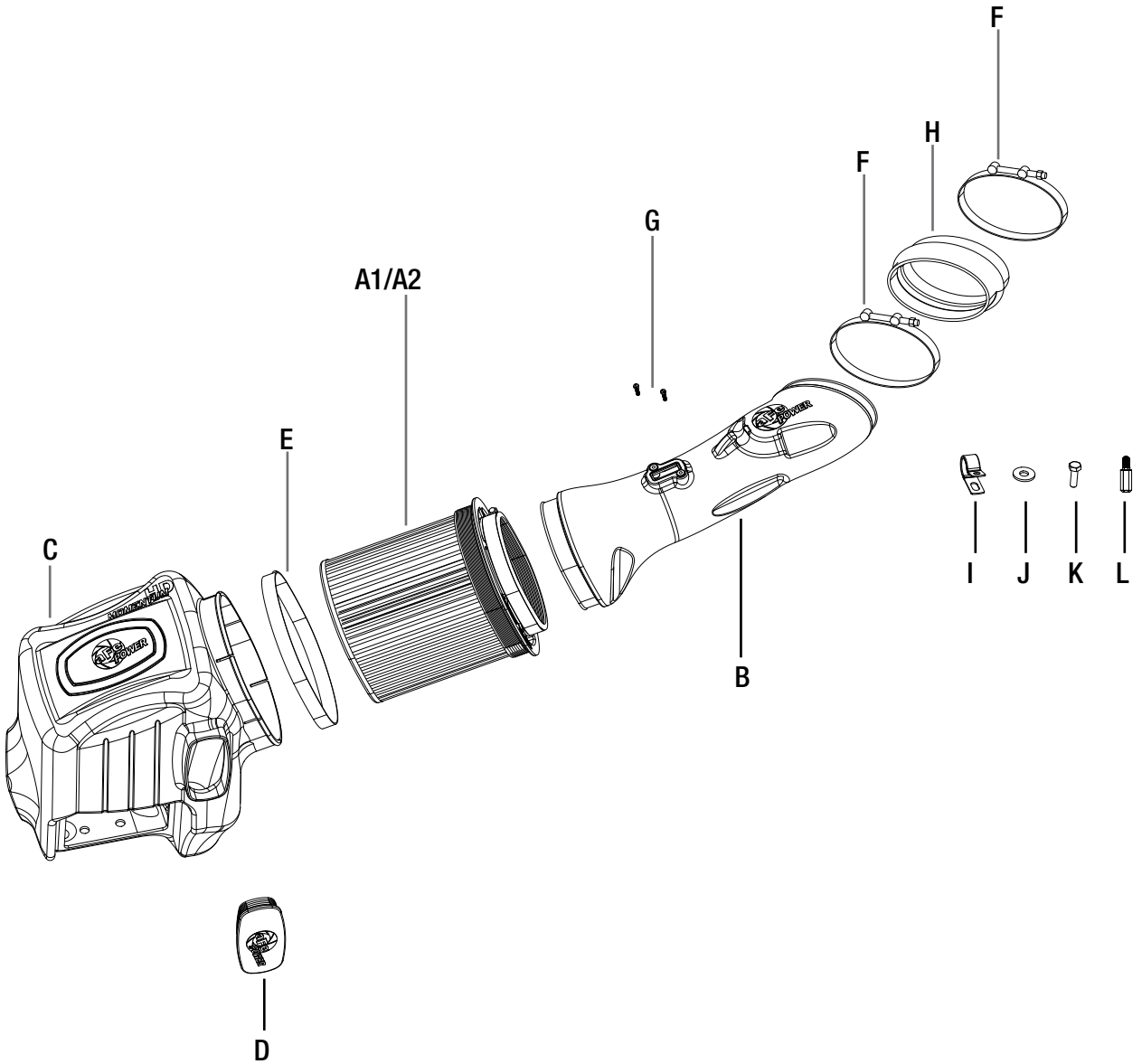


- Please read the entire instruction manual before proceeding.
- Ensure all components listed are present.
- If you are missing any of the components, call technical support.
- Ensure you have all necessary tools before proceeding.
- Do not attempt to work on your vehicle when the engine is hot.
- Disconnect both the negative battery terminal before proceeding.
- Retain factory parts for future use.

Label	Qty.	Description	Part Number
A1	1	Air Filter (Pro DRY S)	21-91061 (51-73005-1)
A2	1	Air Filter (Pro 10R)	20-91061 (50-73005-1)
B	1	Tube	05-73005B1
C	1	Housing	05-73005B2
D	1	Plug, Urethane	05-01202
E	1	Clamp, T-Bolt (8-5/16")	03-50267
F	2	Clamp, T-Bolt (5")	03-50261
G	2	Screw, M4	03-50034
H	1	Coupling, Silicone Hump	05-01204
I	1	Fixing Clamp	03-50234
J	1	Flat Washer	03-50070
K	1	Hex Screw	03-50057
L	1	T20 Torx Bit	03-50066

Installation will require the following tools:
8mm Nut driver, 10mm Nut driver and 1/4" driver.

Note: Legal in California for use on race vehicles only. The use of this device on vehicles used on public streets or highways is strictly prohibited in California and others states that have adopted California emission regulations.





Refer to Figure A for step 1

Step 1: Take off the (2) 8mm screws securing the OE intake tube and filter box and loosen the band clamps.



Refer to Figure B for steps 2-3

Step 2: Disconnect the wire harness clip from the filter housing and pull the red tab out on the flow sensor connector, then press the tab and pull off the sensor plug. Remove the MAF sensor from the tube with the provided T-20 Torx bit.

Step 3: Pull out the air box in an upward motion.



Refer to Figure C for step 4

Step 4: Slip all the hoses out of the way on the OE intake tube, loosen the clamps and remove the tube.



Figure D

Refer to Figure D for steps 5-6

Step 5: Take off the factory mounting grommet from the factory airbox and install it on the Momentum HD airbox.

Step 6: Slide filter into housing and install furnished T-bolt clamps. Tighten only the larger T-bolt clamp.



Figure E

Refer to Figure E for step 7

Step 7: Remove rubber inlet gasket from the factory airbox and install it on the Momentum HD airbox.



Figure F

Refer to Figure F for step 8

Step 8: Install the Momentum HD housing assembly into the truck by pushing it into the factory grommet.


Figure G

Refer to Figure G for steps 9-11

- Step 9: Remove the filter minder and grommet ① from the factory airbox and install them on the Momentum HD tube.
- Step 10: Install the Mass Air Flow sensor ② removed at step 2 on the Momentum HD tube using furnished small hex screws.
- Step 11: Slide the silicone coupling ④ and T-bolt clamps ③ onto the small end of the tube. Do not tighten clamps at this time.



Figure H

Refer to Figure H for steps 12-14

Step 12: Install Momentum HD tube by first sliding the coupling over the turbo inlet. Connect the other end to the air filter.

Step 13: Tighten all clamps.

Step 14: Snap the AC line into tube and secure factory hose with the fixing clamp (I), M6 screw (K) and washer (J).



Figure I

Refer to Figure I for steps 15-17

Step 15: Re-install factory screw removed in step 1 next to battery (3) to secure Momentum HD airbox.

Step 16: Re-connect the MAF sensor (4). Route the wire harness as shown and secure it to the vehicle (5).

Step 17: Tighten all clamps and re-attach both negative battery terminals. Your installation is now completed.

Use the furnished plug (B) to close off the front auxiliary air inlet to completely seal the airbox.

NOTE: Retighten all connections after approximately 100-200 miles.



Air Filter



Pro 10R P/N: 20-91061
Pro DRY S P/N: 21-91061
Pro 5R P/N: 24-91061
Pro-GUARD 7 P/N: 72-91061

Pre-Filter



P/N: 28-10283

Blue Aerosol Restore Kit



P/N: 90-50001

Blue Squeeze Restore Kit



P/N: 90-50501

Atlas Exhaust



P/N: 49-03039NM

Fuel Filter



P/N: 44-FF014

Direct Fit IRF



P/N: 30-80202

Oil Filter



P/N: 44-LF024

Warranty

General Terms:

- aFe warrants their products to be free from manufacturer's defects due to workmanship and material.
- This warranty applies only to the original purchaser of the product and is non-transferrable.
- Proof of purchase of the aFe product is required for all warranty claims.
- Warranty is valid provided aFe instructions for installation and/or cleaning were properly followed.
- Proper maintenance with regular inspections of product is required to insure warranty coverage.
- Damage due to improper installation, abuse, unauthorized repair or alteration is not warranted.
- Incidental or consequential damages or cost, including installation and removal of part, incurred due to failure of aFe product is not covered under this warranty.
- All warranty is limited to the repair and/or replacement of the aFe part. To request Return Goods Authorization ("RGA"). Upon receipt of the RGA, you must return the product to the address provided in the RGA, freight prepaid and accompanied with a dated proof of purchase and the RGA. Upon receipt of the defective product and upon verification of proof of purchase, aFe will either repair or replace the defective product within a reasonable time, not to exceed thirty days.

Product Category	P/N Prefix	Warranty duration
Direct OE Replacement Filters	10, 11, 30, 31, 71, 73	Life of the vehicle
Racing Filters	18	1 year
Universal	21, 24, 72	2 years
Air Intake Systems	50, 51, 54, 55, 75	2 years
Exhaust Systems	49	2 years
Intercoolers & Intercooler Tubes	46-2	2 years
Intake Manifolds	46-1	2 years
Differential Cover	46-7	Life of the vehicle
Exhaust Manifolds	46	2 years
Throttle Body Spacers	46-3	2 years
Fluid Filters	44	90 days
Pre-Filters	28	2 years
Heavy Duty OE Replacement	70	2 years
PowerSports OE Replacement	81, 87	2 years
PowerSports Intake Systems	85	2 years

No other warranty expressed or implied applies nor is any person or advanced FLOW engineering authorized to assume any other warranty. Some States do not allow the exclusion or limitation of incidental or consequential damages or do not allow limitations on how long an implied warranty lasts, so the above limitations or exclusions may not apply to you. This warranty gives you specific legal rights, and you may also have other rights which vary from State to State.