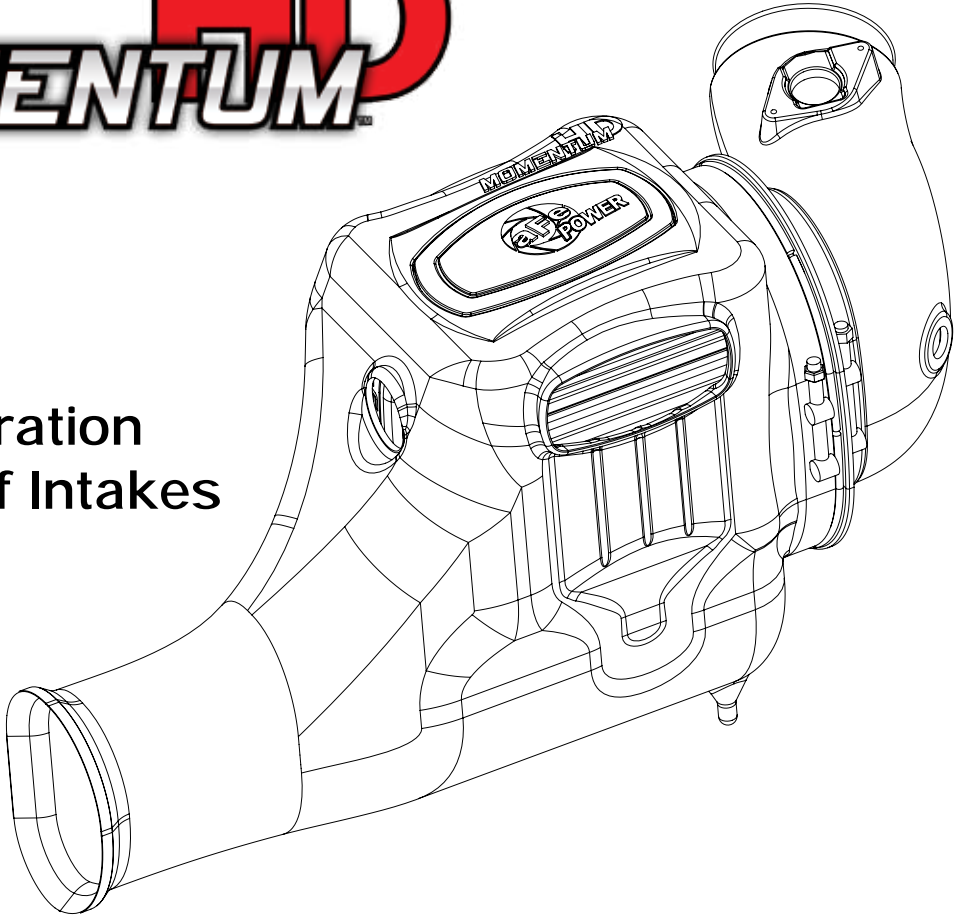




HD
MOMENTUM



The Next
Generation
of Intakes

advanced FLOW engineering

Instruction Manual P/N: 50-73003/51-73003/75-73003

Make: **FORD** Model: **F-250/350/450/550 & Excursion** Year: **03-07** Engine: **V8-6.0L (td)**



- Please read the entire instruction manual before proceeding.
- Ensure all components listed are present.
- If you are missing any of the components, call customer support.
- Ensure you have all necessary tools before proceeding.
- Do not attempt to work on your vehicle when the engine is hot.
- Disconnect the negative battery terminal before proceeding.
- Retain factory parts for future use.

Label	Qty.	Description	Part Number
A	1	Housing	05-73003B2
B	1	T-Bolt Clamp	03-50267
C	1	Air Filter	20-91061 (Pro 10R) 21-(PDS) 72-(PG7)
D	1	Tube	05-73003B1
E	1	Plug	05-01202
F	1	T20 Torx Bit	03-50066

Installation will require the following tools:
8mm Nut driver, 10mm Nut driver, Torx (T-20) driver and Pliers

Note: Legal in California for use on race vehicles only. The use of this device on vehicles used on public streets or highways is strictly prohibited in California and others states that have adopted California emission regulations.

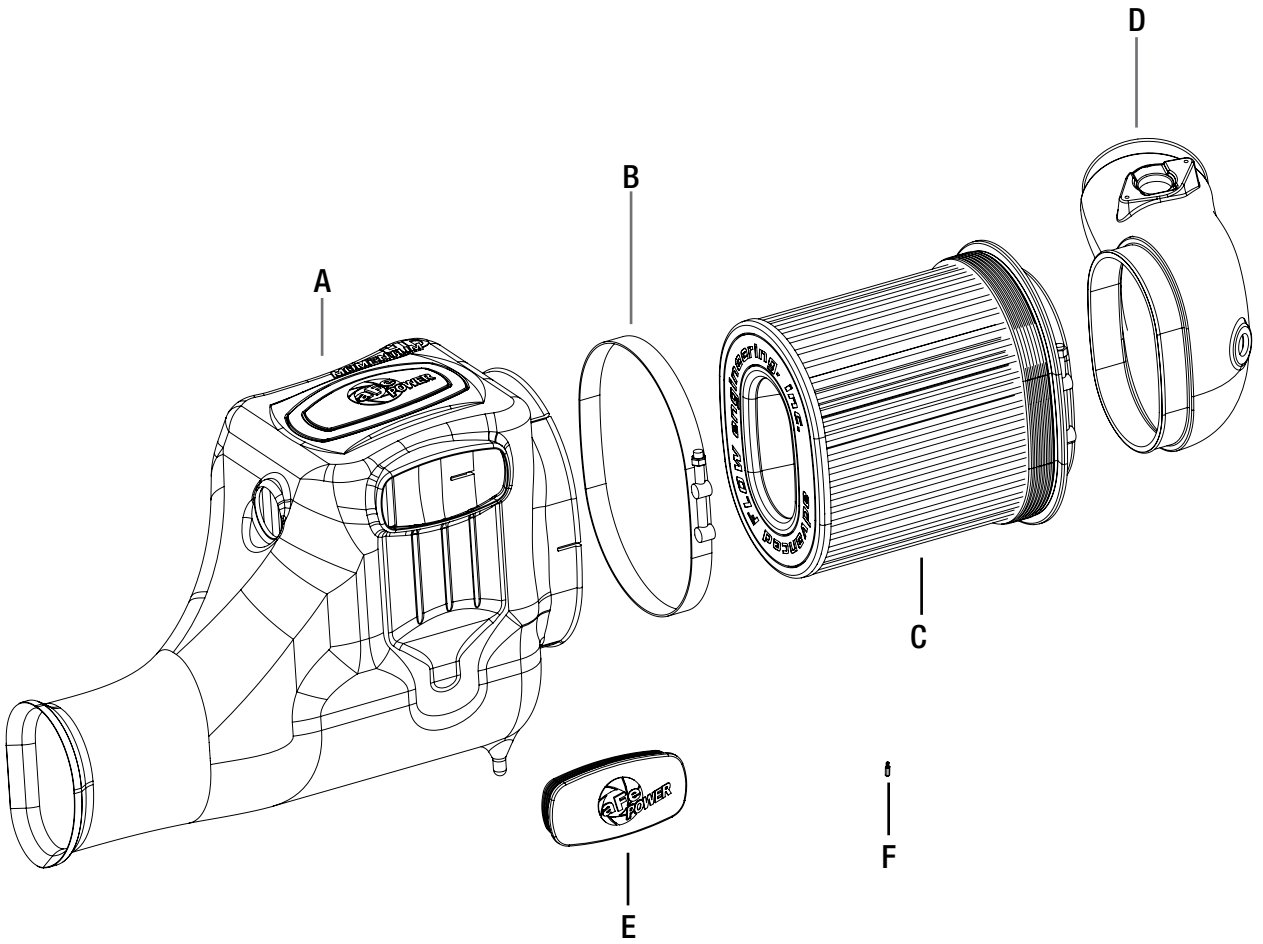




Figure A

Refer to Figure A for step 1

Step 1: Remove the two hoses shown in the picture by compressing the spring clamps and pulling the hoses off.



Refer to Figure B for steps 2-4

Step 2: Disconnect the MAF sensor plug.

Step 3: Remove the filter minder from the factory intake tube.

Step 4: Loosen clamp for intake tube.



Figure C

Refer to Figure C for step 5

Step 5: Pull straight up to remove the OE intake.

REMOVAL



Figure D

Refer to Figure D for step 6

Step 6: Remove the OE grommet and MAF sensor from the factory intake.



Figure E

Refer to Figure E for step 7

Step 7: Install the OE grommet into the new aFe intake tube, and insert the MAF sensor as shown and secure it using the OE screws.



Figure F

Refer to Figure F for steps 8-9

Step 8: Install the aFe filter into the new housing.

Step 9: Place the large clamp on the housing as shown but leave both clamps loose.



Figure G

Refer to Figure G for step 10

Step 10: First install the aFe intake tube and push it towards the firewall.



Figure H

Refer to Figure H for steps 11-12

Step 11: Next drop in the housing and line up the pegs with the mounting holes.

Step 12: Make sure the filter clamp is loose and then push the aFe intake tube into the filter.



Refer to Figure I for steps 13-14

Step 13: Install the filter minder and connect MAF sensor.

Step 14: Tighten all clamps.



Figure J

Refer to Figure J for steps 15-18

Step 15: Replace the coolant hose and clamp in place.

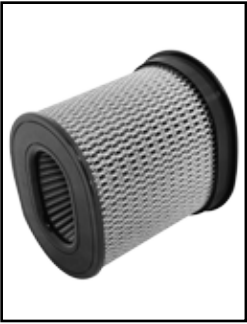
Step 16: Install the factory breather hose by sliding it into the hole on the front of the housing.

Step 17:(Optional) install plug on side of housing.

Step 18: Installation is now Complete.



PRO 10R Air Filter



P/N: 20-91061
21-91061
24-91061
72-91061

Blue Aerosol Restore Kit



P/N: 90-50001

Blue Squeeze Restore Kit



P/N: 90-50501

aFe Power Backpack



P/N: 40-33203

aFe Power Diesel T-Shirt



P/N: 40-30222-G (L)
P/N: 40-30223-G (XL)
P/N: 40-30224-G (2XL)
P/N: 40-30225-G (3XL)

aFe Power Hat



P/N: 40-10114 (S/M)
P/N: 40-10115 (L/XL)

aFe Power Ladies Hat



P/N: 40-10112

Warranty

General Terms:

- aFe warrants their products to be free from manufacturer's defects due to workmanship and material.
- This warranty applies only to the original purchaser of the product and is non-transferrable.
- Proof of purchase of the aFe product is required for all warranty claims.
- Warranty is valid provided aFe instructions for installation and/or cleaning were properly followed.
- Proper maintenance with regular inspections of product is required to insure warranty coverage.
- Damage due to improper installation, abuse, unauthorized repair or alteration is not warranted.
- Incidental or consequential damages or cost, including installation and removal of part, incurred due to failure of aFe product is not covered under this warranty.
- All warranty is limited to the repair and/or replacement of the aFe part. To request Return Goods Authorization ("RGA"). Upon receipt of the RGA, you must return the product to the address provided in the RGA, freight prepaid and accompanied with a dated proof of purchase and the RGA. Upon receipt of the defective product and upon verification of proof of purchase, aFe will either repair or replace the defective product within a reasonable time, not to exceed thirty days.

Product Category	P/N Prefix	Warranty duration
Direct OE Replacement Filters	10, 11, 30, 31, 71, 73	Life of the vehicle
Racing Filters	18	1 year
Universal	21, 24, 72	2 years
Air Intake Systems	50, 51, 54, 55, 75	2 years
Exhaust Systems	49	2 years
Intercoolers & Intercooler Tubes	46-2	2 years
Intake Manifolds	46-1	2 years
Differential Cover	46-7	Life of the vehicle
Exhaust Manifolds	46	2 years
Throttle Body Spacers	46-3	2 years
Fluid Filters	44	90 days
Pre-Filters	28	2 years
Heavy Duty OE Replacement	70	2 years
PowerSports OE Replacement	81, 87	2 years
PowerSports Intake Systems	85	2 years

No other warranty expressed or implied applies nor is any person or advanced FLOW engineering authorized to assume any other warranty. Some States do not allow the exclusion or limitation of incidental or consequential damages or do not allow limitations on how long an implied warranty lasts, so the above limitations or exclusions may not apply to you. This warranty gives you specific legal rights, and you may also have other rights which vary from State to State.

Feel the difference with aFe.

Buy quality performance air intake systems in our online store.