

advanced FLOW engineering

Instruction Manual P/N: 50-30024D/R / 50-30024DH/RH / 50-30024DL/RL

Make: **Ford** Model: **F-150** Year: **2015-2018** Engine: **V8-5.0L**



- Please read the entire instruction manual before proceeding.
- Ensure all components listed are present.
- Ensure you have all necessary tools before proceeding.
- Do not attempt to work on your vehicle when the engine is hot.
- Disconnect the negative battery terminal before proceeding.
- Retain factory parts for future use.

Label	Qty.	Description	Part Number
A1	1	Air Filter (Pro DRY S)	21-91115
A2	1	Air Filter (Pro 5R)	24-91115
B	1	Housing	05-5030024B3
C1	1	Tube 1 of 2: Black	05-5030024B1
C2	1	Tube 1 of 2: Brushed	05-5030024H1
C3	1	Tube 1 of 2: Blue	05-5030024L1
D1	1	Tube 2 of 2: Black	05-5030024B2
D2	1	Tube 2 of 2: Brushed	05-5030024H2
D3	1	Tube 2 of 2: Blue	05-5030024L2
E	1	Hose, Silicone Elbow: (90 Degree)	05-01493
F	1	Clamp, #056	03-50009
G	2	Clamp, #048	03-50007
H	2	Retainer Clip	05-01350
I	1	Seal, Trim: 7/16" (15-1/2" in.)	05-00072

Installation will require the following tools:

7mm/8mm/nut driver or deep sockets, flat head screw driver, 13mm socket and driver, panel popper tool.

Note: Legal in California for use on race vehicles only. The use of this device on vehicles used on public streets or highways is strictly prohibited in California and others states that have adopted California emission regulations.

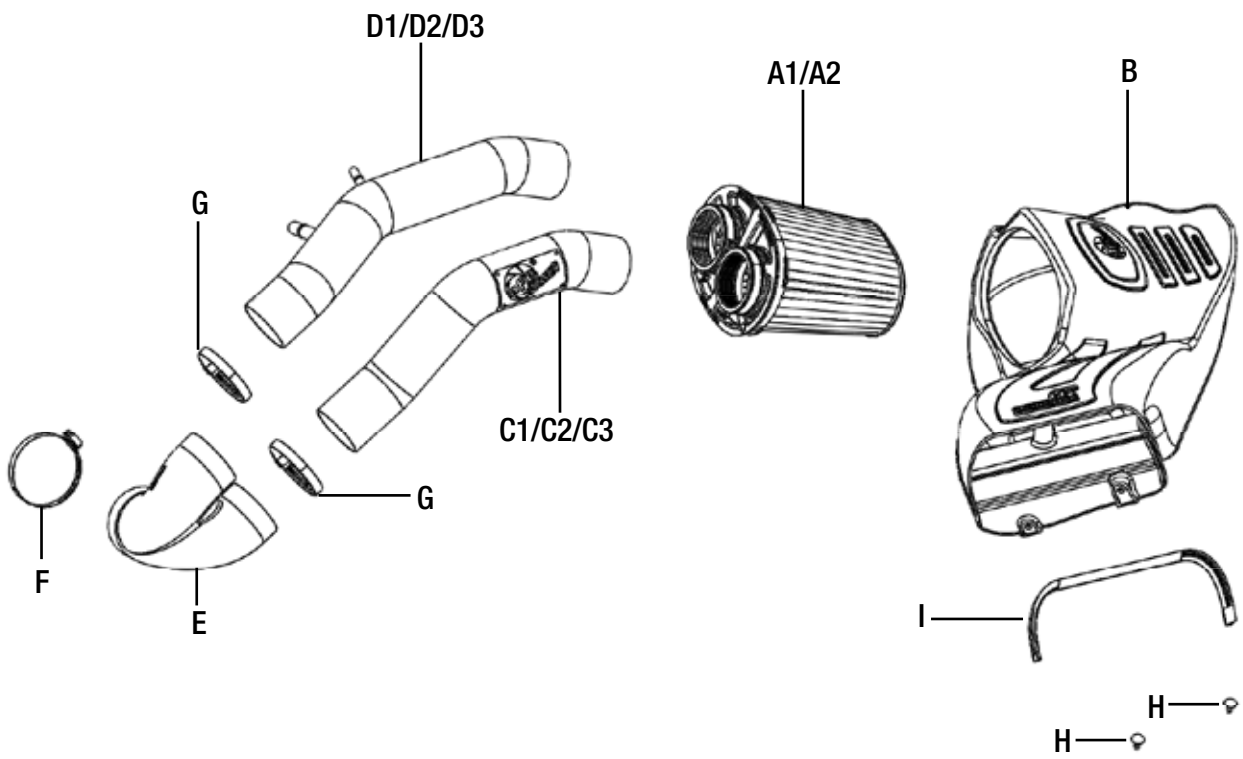




Figure A

Refer to Figure A for Steps 1-4

Step 1: Un-snap coolant hose from tubes.

Step 2: Disconnect the two crankcase breather lines.

Step 3: Untighten the two clamps on the air intake tube. Pull the tube out of the truck.

Step 4: Remove the screw and the two plastic rivets securing the housing, then pull the factory airbox out of the truck.

NOTE: Some models will have a wiring harness attached to the airbox, unclip the harness if it is present.



Refer to Figure B for Steps 5-6

Step 5: Transfer the grommet and sleeve from the factory airbox to the aFe POWER housing.

Step 6: Install the furnished seal trim on the top edge of the aFe POWER housing.



Figure C

Refer to Figure C for Steps 7-9

- Step 7: Install the aFe POWER housing into the truck by pushing it into the factory mounting grommets.
- Step 8: Re-install the factory screw removed in Step 4, inside the aFe POWER housing.
- Step 9: Secure the housing with the two furnished plastic rivets and secure the factory wiring harness to the back of the housing if your vehicle is equipped with one.



Figure D

Refer to Figure D for Step 10

Step 10: Slide the aFe POWER air filter inside the housing until it locks in place. Install the clamps on the air filter but do not tighten.



Figure E

Refer to Figure E for Step 11

Step 11: Install the coupling and clamps onto throttle body. Do not tighten clamps yet.



Figure F

Refer to Figure F for Step 12

Step 12: Install the aFe POWER tube with the badge into the lower inlet of the coupling then into the first inlet of the air filter. Do not tighten clamps yet.



Figure G

Refer to Figure G for Steps 13-14

Step 13: Install the second aFe POWER tube into the top inlet of the coupling then into the air filter inlet.

Step 14: Align the tubes correctly then tighten all clamps.

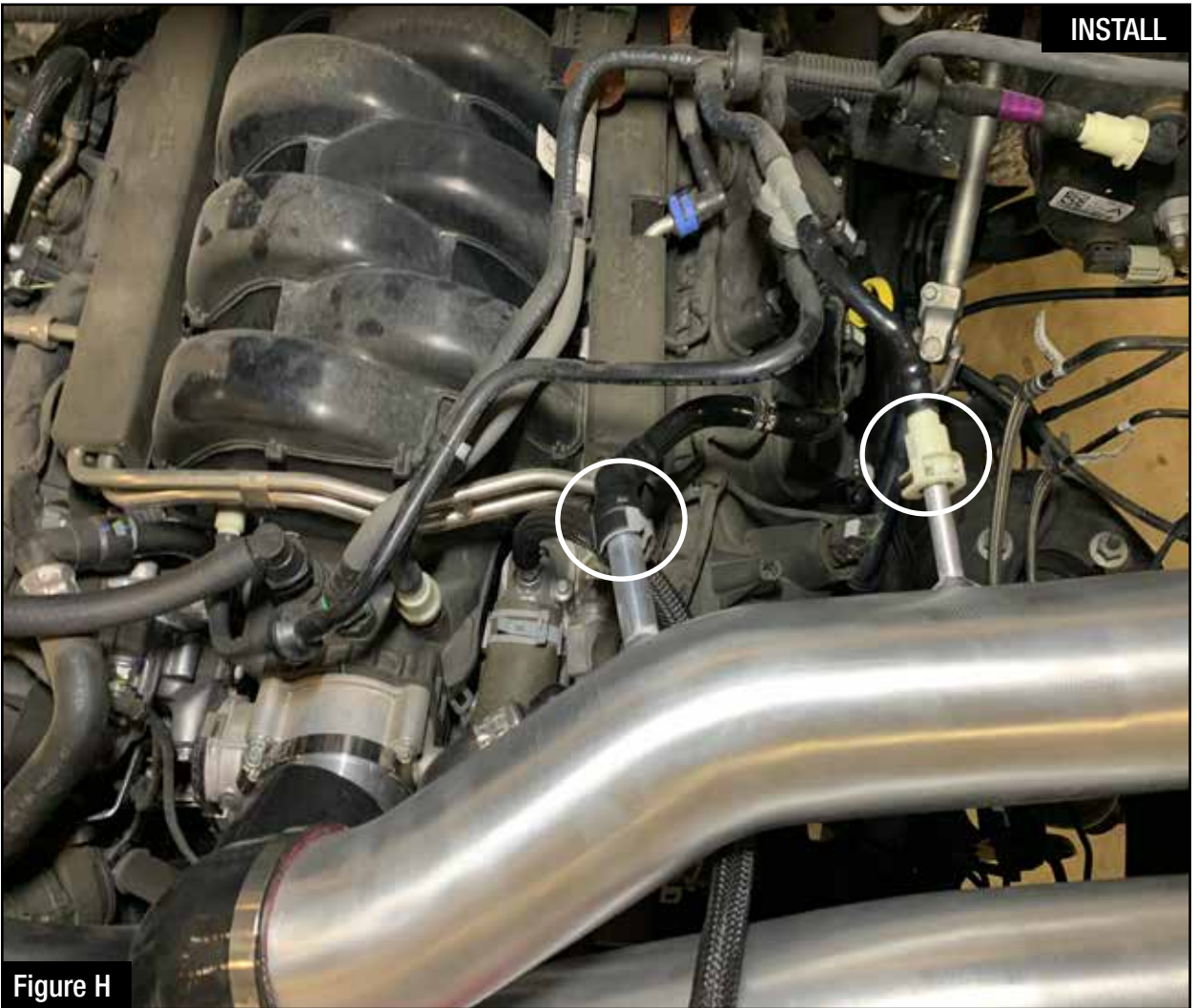
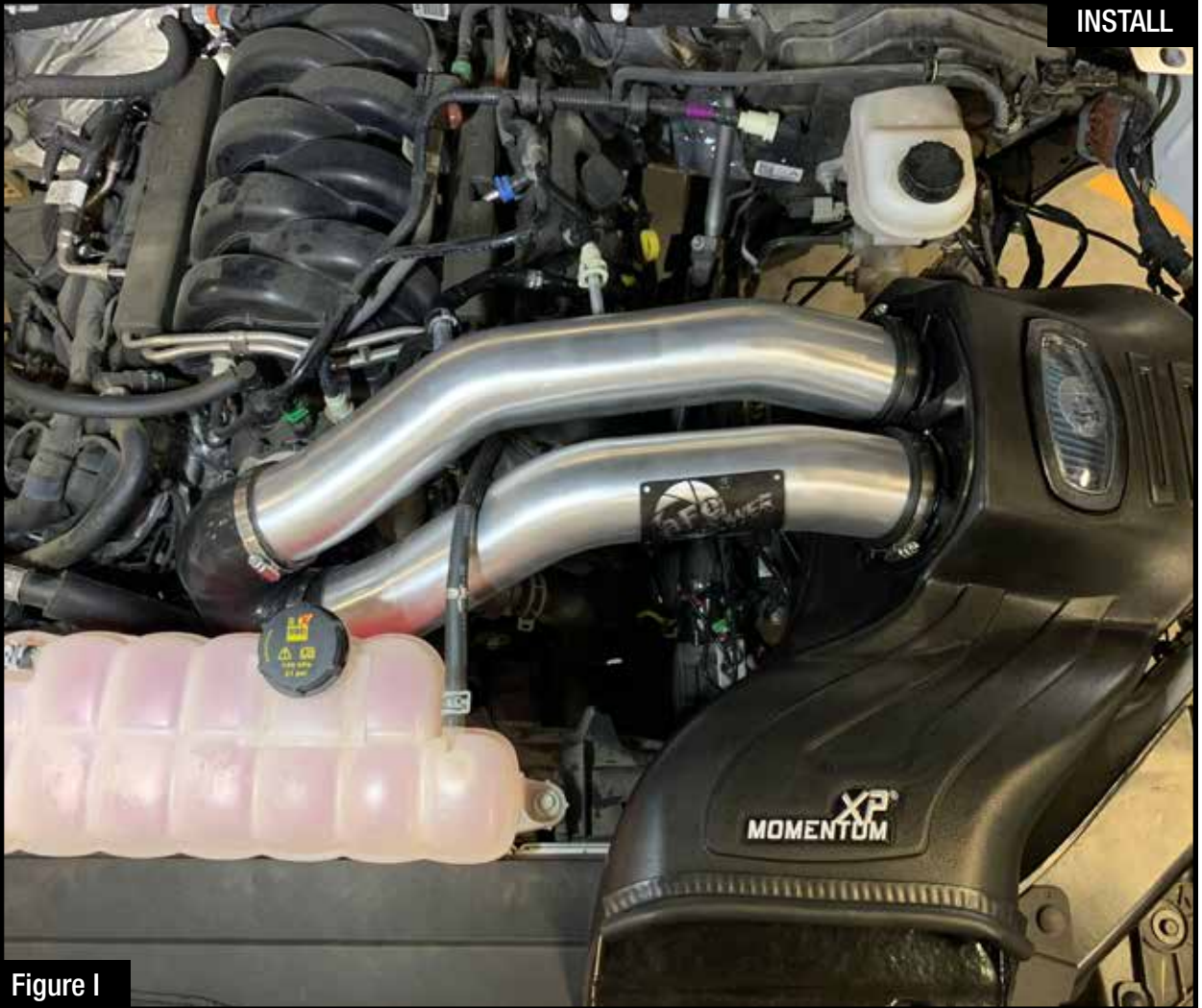


Figure H

Refer to Figure H for Step 15

Step 15: Reconnect the two crankcase breather lines to the aFe POWER tube.



Refer to Figure I for Step 29

Step 16: Make sure all clamps and screws are secured. Your installation is now complete.

NOTE: Check all bolts, clamps, and connectors after 100-200 miles.



Pro DRY S Air Filter



P/N: 21-91115

Pro 5R Air Filter



P/N: 24-91115

Pro-GUARD 7 Air Filter



P/N: 72-91115

Pre-Filter



P/N: 28-10283

Pro DRY S Restore Kit



P/N: 90-59999

Blue Squeeze Restore Kit



P/N: 90-50501

Gold Squeeze Restore Kit



P/N: 90-50500

SCORCHER PRO Tune



P/N: 77-33008

Side Exit Exhaust System



P/N: 49-43081-P (Pol. Tips)
49-43091-B (Blk. Tips)

Headers + Y-Pipes



P/N: 48-43015-YC (Street)
48-43015-YN (Race)
2015-2017 Only!

Rear Differential Cover



P/N: 46-70152-WL (w/ Oil)
46-70150 (RAW)

Sprint Booster V3



P/N: 77-13001

Shop for other performance air intake systems on our website.