

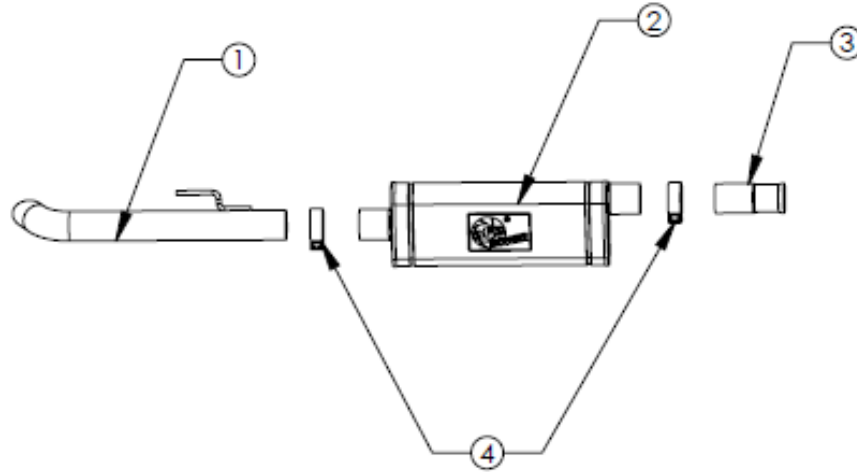


INSTALLATION INSTRUCTIONS

Cat-Back Exhaust

49-48082

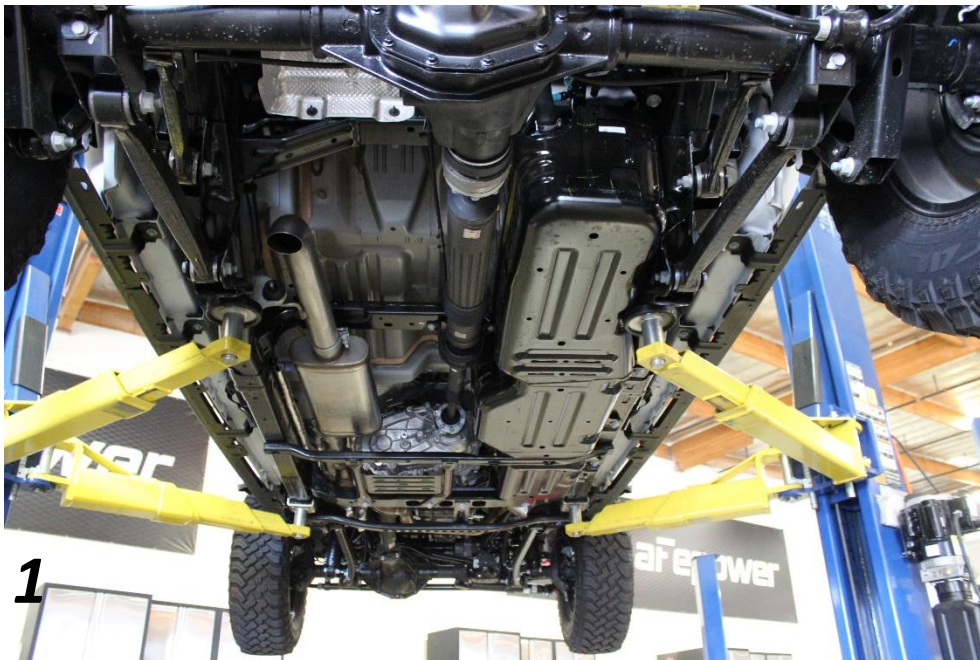
MAKE: Jeep
MODEL: Gladiator
YEAR: 2020
ENGINE: V6-3.6L



Item	Description	Part Number	Quantity
1	Tail Pipe	05-144736	1
2	Muffler	49M00017	1
3	Front Pipe	05-144731	1
4	Band Clamps 3"	05-41055	2

aFe POWER recommends professional installation on this product. Thoroughly inspect the aFe POWER exhaust system to make sure there is no damage from shipping (if damage is noted, immediately contact aFe POWER customer service). Allow time for your vehicle to cool down prior to installation. When working on your vehicle proceed with caution. Wear protective safety equipment; eye goggles and gloves to ensure a safe installation.

Install band clamps to proper torque specifications of 40-45 ft-lb.





INSTALLATION INSTRUCTIONS

Cat-Back Exhaust

49-48082

MAKE: Jeep
MODEL: Gladiator
YEAR: 2020
ENGINE: V6-3.6L

1. **(Read instructions prior to installation.)** It is recommended to not fully tighten the exhaust until it has been fully installed. Leave loose for adjustability.
2. Secure vehicle on jack stands (refer to your manual for specified jack stand positions).
3. For faster installation, spread out the parts of the exhaust alongside your vehicle as shown in the diagram above.
4. Secure the stock exhaust with jack/stands.
5. Remove the spare tire and tire guard. This will allow for clearance to remove the exhaust.
6. Undo the clamp at the front of the stock exhaust and slide back to remove the exhaust in 1 piece.
7. Remove the O.E. ball clamp from the stock exhaust and install onto the aFe POWER front pipe.
8. Install the front pipe onto the O.E. Y-Pipe.
9. Install the Muffler 49M00030 onto the front pipe using the provided 3" band clamp. Use a stand to help support the muffler.
10. Remove the O.E hanger mount from the frame by removing the (x2) bolts.
11. Install the Tail Pipe using the provided 3" band clamp. Then re-install the O.E hanger bracket and (x2) bolts from step 10.
12. Ensure that all the components of the aFe POWER exhaust system are aligned and are at a safe clearance from all wires, hoses, brake lines, body parts, and tires.
13. Start from the front of the aFe exhaust system and evenly tighten all clamps and fasteners.
14. Re-install the spare tire guard and the spare tire.
15. Start the vehicle and check for any leaks. If any leaks are found, determine cause and repair as necessary.
16. Remove vehicle from jacks stands.
17. It is recommended to re-tighten all clamps and hardware after 50-100 miles.