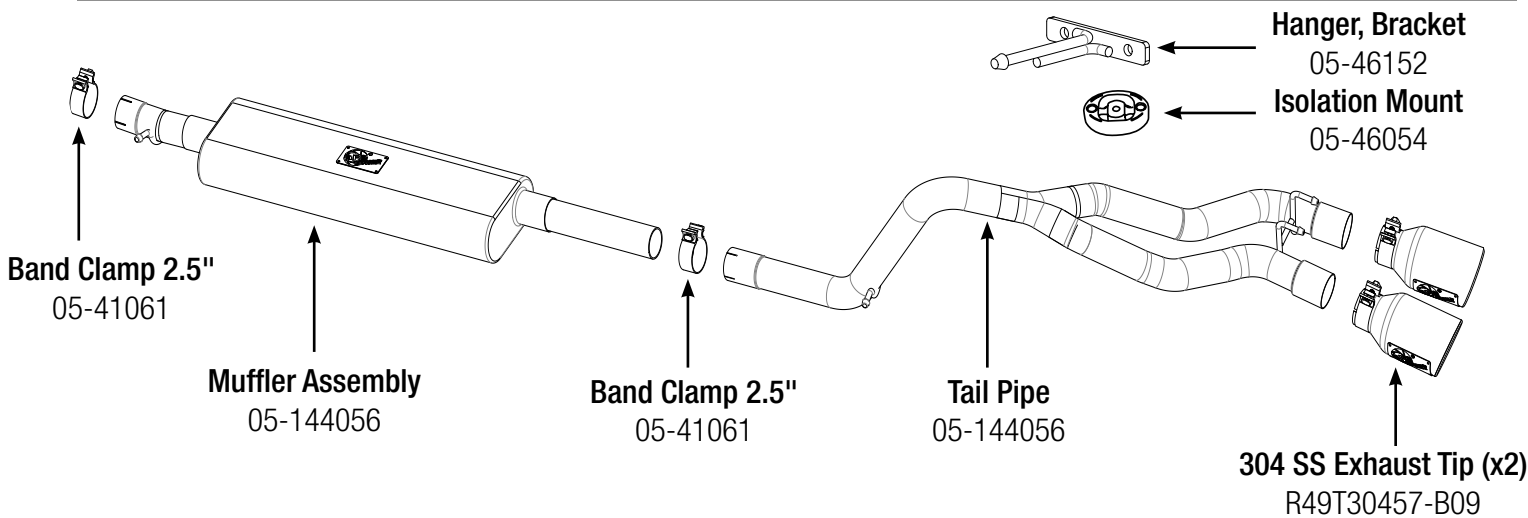




## INSTALLATION INSTRUCTIONS

MAKE: Jeep  
MODEL: Wrangler (JK)  
YEAR: 2007-2017  
ENGINE: V6-3.6L/3.8L (4 Door)

**Cat Back**  
**409 Stainless Steel**  
**49-48054-B(Black Tips)**



**Caution:** Allow time for your vehicle to cool down prior to installation. When working on or under your vehicle proceed with caution. Exhaust systems reach high temperatures and may cause serious burns. Wear protective safety equipment; eye goggles and gloves to ensure a safe installation.

**Step 1:** (Read Instructions prior to installation). It may be helpful to lubricate all the isolation rubber mounts, before uninstalling and installing exhaust. NOTE: This system will require you to remove your bolt on tow hitch before installing exhaust, if necessary. Always use a Jack or Stand to support muffler when installing or uninstalling any exhaust system. Remove your stock exhaust from the rear of your truck working your way forward. Take caution not to damage the factory isolation mounts as they will be reused. It is recommended to not fully tighten any of the clamps until the entire system has been fully installed.

**Step 2:** For faster installation spread the pieces of the exhaust alongside of your vehicle according to the diagram shown.

**Step 3:** Install muffler assembly with the 2.5" band clamp provided, utilizing the factory isolation mount and slip hanger into place.

**Step 4:** Next install the hanger Bracket with the hanger on the top side of the bracket and the hanger support on the bottom side. Use the proper hardware provided, the bracket holes should line right up with the existing tow hitch holes right on the center of the rear cross member. As shown on **(Figure A.)**



**(Figure A.)**

**Step 5:** Place a 2.5" band clamp over the tailpipe, pull the tail-pipe up and over the axle beginning from the rear side of the axle. Using the factory isolation mount as well as the rubber mount provided for the rear hanger bracket. Slide in all the hangers into place.

**Step 6:** Place the tips at your desired position, but do not fully tighten them.

**Step 7:** Straighten up exhaust system and begin to tighten down all clamps beginning at the front and working your way back and ending at the tips.

**Step 8:** Congratulations, Your system is now complete and fully installed! It is recommended to re-tighten all clamps and bolts after 50-100 miles.

### NOTES:

- aFe recommends that the tailpipe be at least 1/2"-1" away from any body panels to avoid heat related body damage. **Tighten and secure.**
- It is normal for your exhaust system to emit smoke for the first few minutes upon initial start-up.

**Caution:** Allow time for your vehicle to cool down prior to installation. When working on or under your vehicle proceed with caution. Exhaust systems reach high temperatures and may cause serious burns. Wear protective safety equipment; eye goggles and gloves to ensure a safe installation. **aFe recommends professional installation on our products.**