



INSTALLATION INSTRUCTIONS

MAKE: Nissan
MODEL: Titan XD
YEAR: 2016
ENGINE: V8-5.0L (td) Cummins
Fits: CC/SB (151.6" Wheelbase/6.6ft. bed)

5" DPF Back Aluminized Steel

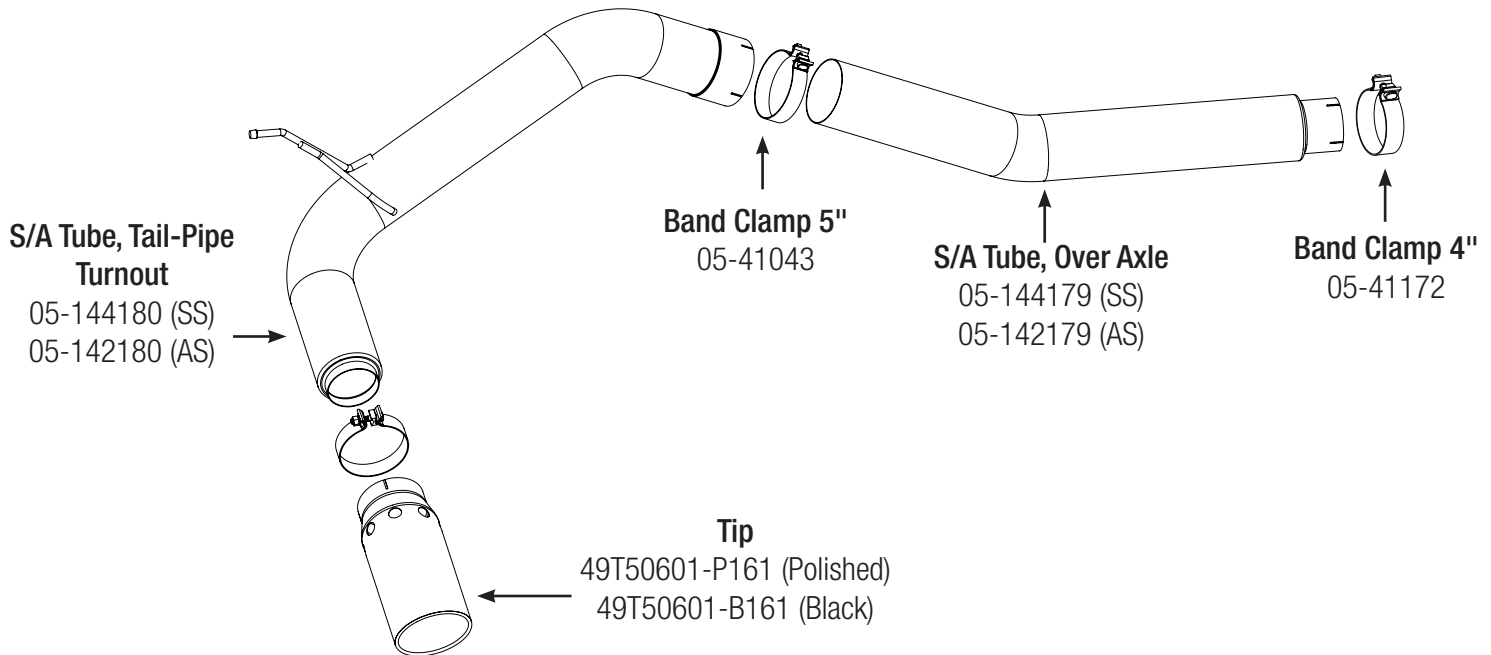
49-06112-P (Polished Tip)

49-06112-B (Black Tip)

5" DPF Back 409 Stainless Steel

49-46112-P (Polished Tip)

49-46112-B (Black Tip)



Professional installation is highly recommended. (Read instructions prior to installation). Make sure to always have at least (2) stands or jacks on hand to support the removal of OE system. Also for the installation of aFe system. Any Removal of rubber isolation mounts may require using a spray lubricant such as WD40 and a pry bar.

Step 1: Loosen the tail-pipe band clamp. From the Diesel Particulate Filter (DPF).

Step 2: Remove the isolating mount holding the tail-pipe hanger in place. Using a 12mm wrench or socket.

Step 3: Slide the Stock tail-pipe off and away from the vehicle.

Installing aFe Power Exhaust

Step 1: For faster installation lay your exhaust components alongside your vehicle according to the diagram above. It is recommended not to fully tighten down the band clamps until the whole system has been installed.

Step 2: Place the 5" band clamp provided, over the reduced section of the over-axle tube. Slip the over-axle tube into the (DPF). Assuring that the special notch slides into the stock indicator tab of the (DPF). This will allow the system to align correctly.

Step 3: Place the 5" band clamp provided, over the expanded side of the tail-pipe turnout.

Step 4: Slip the tail-pipe turnout tube onto over-axle tube.

Step 5: Lubricate the rubber Isolation mount you removed. Slip the hanger in and bolt back on the stock location using the stock hardware.

Step 6: Now you can start to align and tighten down the system completely beginning at front 4" band clamp and work your way back.

Step 7: Align the tip at your desired position and tighten down completely.

Step 10: After 50-100 miles check the whole exhaust and retighten clamps and tips if Necessary.

Caution: Allow time for your vehicle to cool down prior to installation. When working on or under your vehicle proceed with caution. Exhaust systems reach high temperatures and may cause serious burns. Wear protective safety equipment; eye goggles and gloves to ensure a safe installation. **aFe recommends professional installation on our products.**