

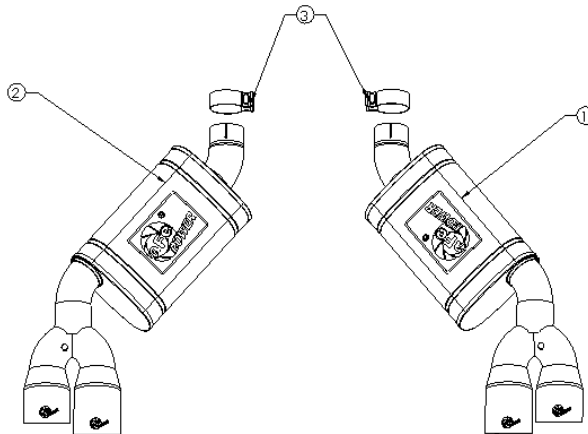


INSTALLATION INSTRUCTIONS

Axle-Back Exhaust

MAKE: Chevrolet
MODEL: Camaro
YEAR: 2016-2020
ENGINE: V8-6.2L

49-44119-P
49-44119-B
49-44119NM-P
49-44119NM-B



Item	Description	Part Number	Quantity
1	Left Tail Pipe Assembly	05-144884/86-B/P	1
2	Right Tail Pipe Assembly	05-144885/87-B/P	1
3	Clamp, Band: 2-3/4" SS	05-41160	2

aFe POWER recommends professional installation on this product. Thoroughly inspect the aFe POWER exhaust system to make sure there is no damage from shipping (if damage is noted, immediately contact aFe POWER customer service). Allow time for your vehicle to cool down prior to installation. When working on your vehicle proceed with caution. Wear protective safety equipment; eye goggles and gloves to ensure a safe installation. Install band clamps to proper torque specifications of 40-45 ft-lb.





INSTALLATION INSTRUCTIONS

MAKE: Chevrolet
MODEL: Camaro
YEAR: 2016-2020
ENGINE: V8-6.2L

Axle-Back Exhaust

49-44119-P

49-44119-B

49-44119NM-P

49-44119NM-B

1. **(Read instructions prior to installation.)** It is recommended to not fully tighten the exhaust until it has been fully installed. Leave loose for adjustability.
2. Secure vehicle on jack stands (refer to your manual for specified jack stand positions).
3. For faster installation, spread out the parts of the exhaust alongside your vehicle as shown in the diagram above.
4. Secure the stock exhaust with jack/stands.
5. Disconnect the negative battery terminal.
6. It is necessary to cut the OE exhaust system to install the aFe power exhaust. To do this measure rearward from the welded hanger. Measure and cut at 16" for the driver's side and 17" for the passenger side as shown in **figure 2**. Deburr the cut pipes for installation of the aFe power system.
7. Disengage the welded hangars from the rubber isolation mounts and remove the muffler assembly. (Retain the rubber isolation mounts as they will be used later to install the aFe power exhaust)
8. Begin installation of the aFe power exhaust system by installing the driver side and passenger side tail pipe assemblies to the cut outlets of the OE exhaust system and loosely fasten with the supplied 2-3/4" clamps. Install the hangars into the rubber isolation mounts.
9. Ensure that all the components of the aFe POWER exhaust system are aligned and are at a safe clearance from all wires, hoses, brake lines, body parts, and tires.
10. Start from the front of the aFe exhaust system and evenly tighten all clamps and fasteners.
11. Start the vehicle and check for any leaks. If any leaks are found, determine cause and repair as necessary.
12. Remove vehicle from jacks stands.
13. It is recommended to re-tighten all clamps and hardware after 50-100 miles.

