



INSTALLATION INSTRUCTIONS

MAKE: Chevrolet/ GMC

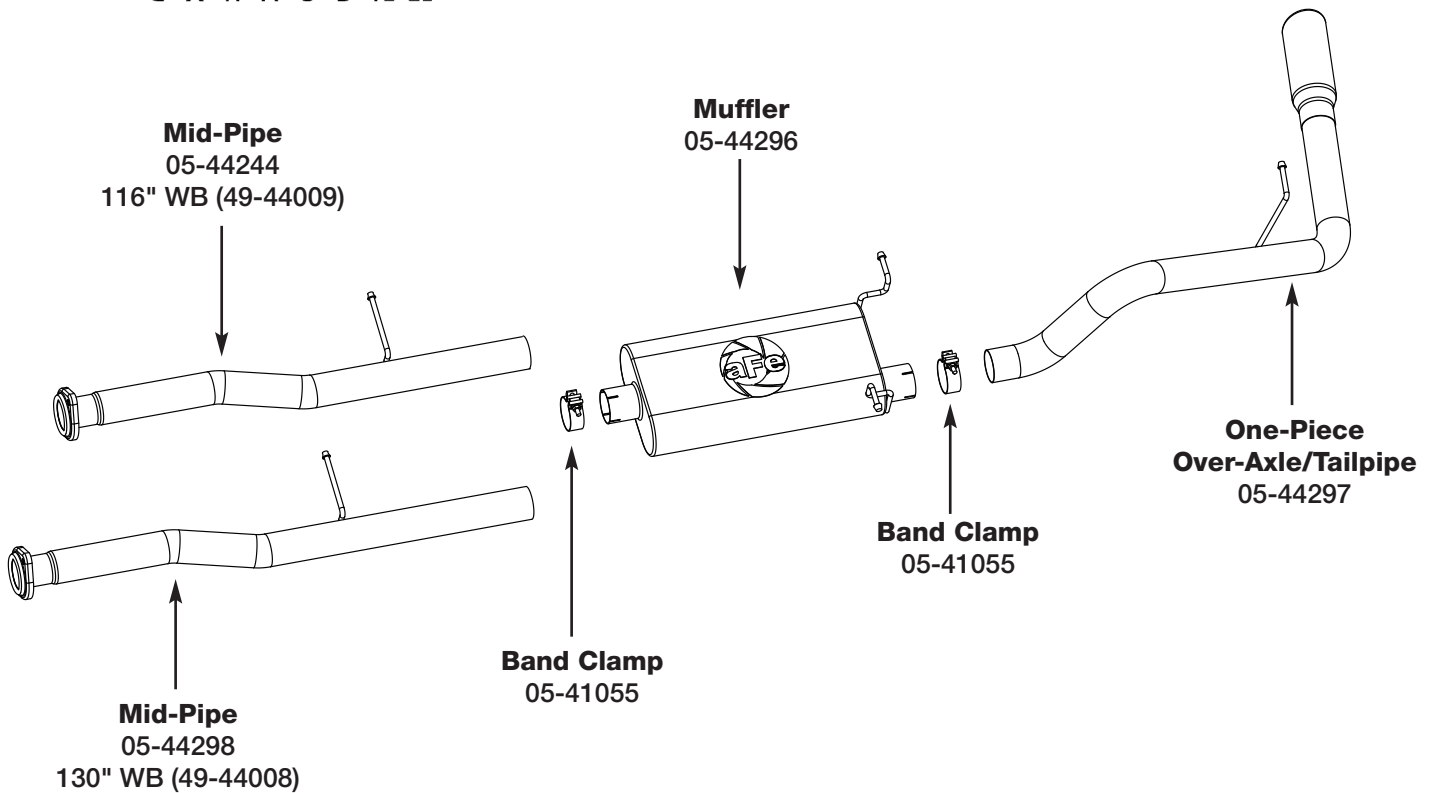
MODEL: Suburban, Yukon, Avalanche and Tahoe

YEAR: 2007-2008

ENGINE: V8-4.8L, 5.3L & 6.0L

CHASSIS: GMT 900

WHEELBASE: 130" (P/N: 49-44008)
116" (P/N: 49-44009)



Step 1: (Read Instructions prior to installation) Remove your stock exhaust up to the catalytic converter from the rear of your truck working your way forward. Take caution not to damage the factory isolation mounts as they will be reused. This system is best installed with a chassis lift with axles extended for clearance. **It is recommended to not fully tighten the clamps until the entire system has been installed.**

Step 2: For faster installation spread the pieces of the exhaust along side of your vehicle according to the diagram shown.

Step 3: Install the mid-pipe using original hardware.

Step 4: Slip band clamp over end of muffler prior to installation. Now install muffler onto mid-pipe and rubber isolaters.

Step 5: Utilizing the factory isolation mounts now install over-axle/tailpipe and tighten all clamps from front to rear.

Step 6: Your installation is now complete. It is recommended to re-tighten all parts after 50-100 miles.

NOTE:

- aFe recommends that the tailpipe be at least 1/2"-1" away from any body panels to avoid heat related body damage. **Tighten and secure.**

Caution: Allow time for your vehicle to cool down prior to installation. When working on or under your vehicle proceed with caution. Exhaust systems reach high temperatures and may cause serious burns. Wear protective safety equipment; eye goggles and gloves to ensure a safe installation. **aFe recommends professional installation on our products.**