



INSTALLATION INSTRUCTIONS

MAKE: Ford
 MODEL: F-150
 YEAR: 2004-2008
 ENGINE: V8-4.3L/5.3L

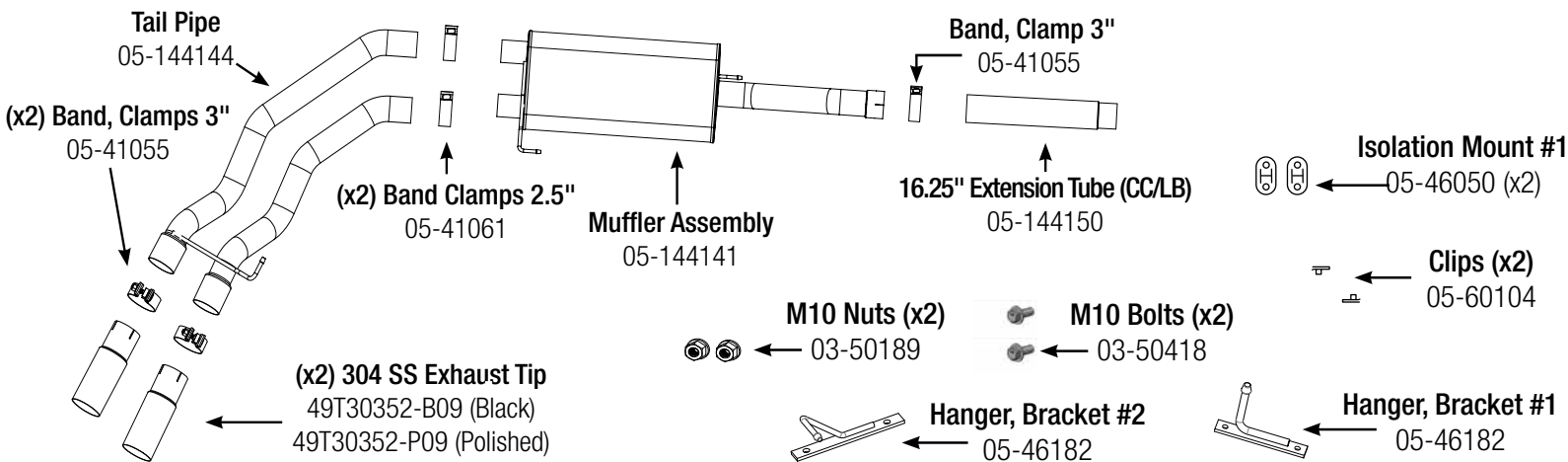
This Kit Fits: EC/LB (144.5"WB), RC/LB (144.5" WB), CC/SB (138.3"WB) & CC/LB (150.5" WB)

Cat-Back

409 Stainless Steel

49-43079-B (Black Tips)

49-43079-P (Polished Tips)



Caution: Allow time for your vehicle to cool down prior to installation. When working on or under your vehicle proceed with caution. Exhaust systems reach high temperatures and may cause serious burns. Wear protective safety equipment; eye goggles and gloves to ensure a safe installation.

Step 1: (Read Instructions prior to installation) properly support your stock exhaust system, and remove your stock exhaust up to the catalytic converter from the rear of your truck, working your way forward. Take caution not to damage the factory hardware and isolation mounts. (It is recommended to not fully tighten the clamps until the entire system has been installed.)

Step 2: For faster installation spread the pieces of the exhaust alongside of your vehicle according to the diagram shown.

Step 3: Start by placing clip-on nuts into frame, as shown on **(figure A)**. The clip-on nuts should slide right in hassle free.

Step 4: Now that the clip-on nuts are in place, place Hanger bracket #1 over clip-on nuts and tighten bracket down securely with the proper bolts provided.

Step 5: Attach Hanger bracket #2 on right side of OE leaf spring bracket, using the bolts and nuts provided as shown on **(figure B)**.

Step 6: Install the mid pipe using the OE Slip on clamp. NOTE: CC/LB will need 16.25" extension pipe, for the RC/LB & EC/LB 6.6' Bed trim extension to 10.25" For the CC/SB trim extension to 4.25".

Step 7: Using a Jack/Stand for support, slide the muffler assembly in the OE Isolation mount, using the provided 3" band clamps and Isolation mount, slide muffler assembly onto mid pipe and hang muffler.

Step 8: Place 2.5" band clamps provided over the muffler exits and slip tail-pipes into place with muffler assembly. Slide rubber mount into hanger bracket #2.

Step 9: Place tips into desired position, but do not fully tighten them!

Step 10: Align and straighten exhaust and begin to tighten down system beginning at the front flange and working your way back and ending at the tip location.

Step 11: Congratulations, Your system is now complete and fully installed! It is recommended to re-tighten all clamps and bolts after 50-100 miles.

(Figure A.)



(Figure B.)



NOTES:

- aFe recommends that the tailpipe be at least 1/2"-1" away from any body panels to avoid heat related body damage. **Tighten and secure.**
- It is normal for your exhaust system to emit smoke for the first few minutes upon initial start-up.