



INSTALLATION INSTRUCTIONS

MAKE: FORD
MODEL: MUSTANG GT
YEAR: 2011-2014
ENGINE: V8-5.0L

**Axle-Back Exhaust
Stainless Steel
49-43052-P
49-43052-B**

aFe recommends professional installation on our products.

Caution: Allow time for your vehicle to cool down prior to installation. When working on or under your vehicle proceed with caution. Exhaust systems reach high temperatures and may cause serious burns. Wear protective safety equipment; eye goggles and gloves to ensure a safe installation.

Step 1: (Read Instructions prior to installation) Secure vehicle on jack stands (Refer to your manual for specified jack stand positions).

Step 2: Loosen left and right stock muffler ball joint clamps.

Step 3: Remove the left and right muffler rubber hanger mount brackets off the chassis and remove stock mufflers.

Step 4: Slide the rubber hanger mounts off the stock mufflers and install onto the aFe Axle Back Mufflers.

Step 5: Using (x1) supplied aFe ball joint clamp, install the left aFe muffler onto the stock mid pipe and back onto the chassis using the original bolts removed from step 3 and tighten. Do not tighten the ball joint clamp.

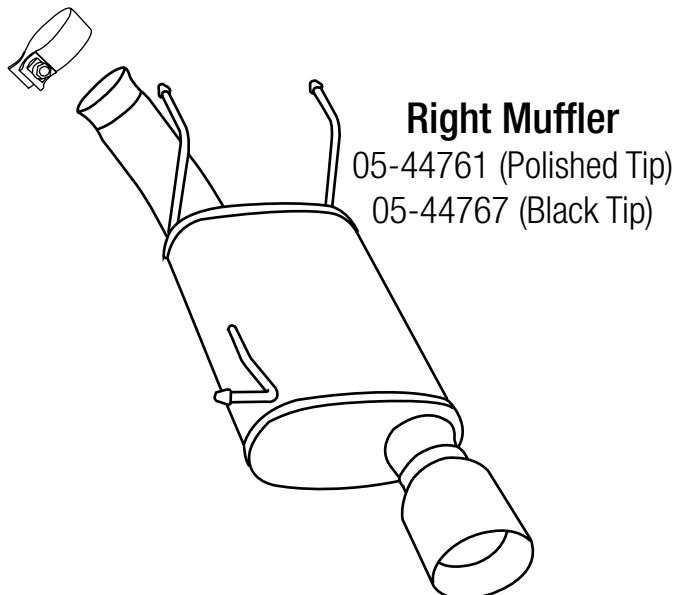
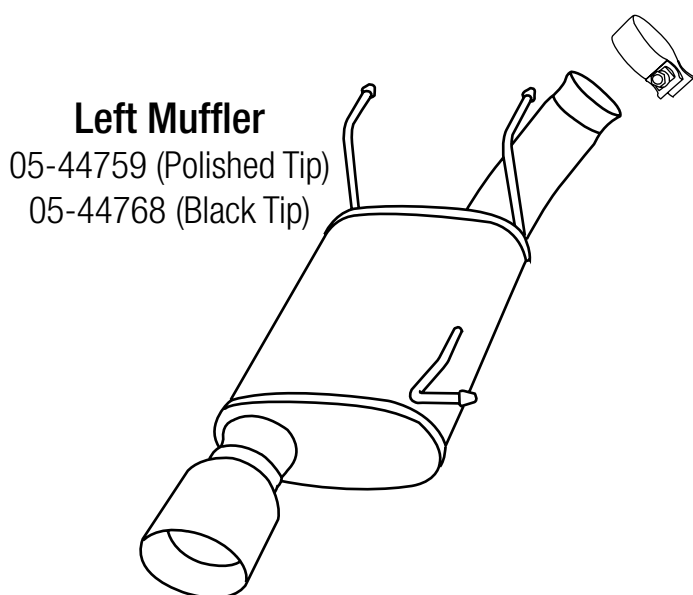
Step 6: Using (x1) supplied aFe ball joint clamp, install the right aFe muffler onto the stock mid pipe and back onto the chassis using the original bolts removed from step 3 and tighten. Do not tighten the ball joint clamp.

Step 7: Align the aFe Exhaust System and then tighten the (x2) ball joint clamps from steps 5 and 6.

Step 8: Re-check all your work. Check system and re-tighten after 150 miles. Thank you for choosing aFe Power!

Ball Joint Clamps (x2)

05-41284



Note: It is normal for your exhaust system to emit smoke for the first few minutes upon initial start-up due to grease used in the mandrel bending process.
