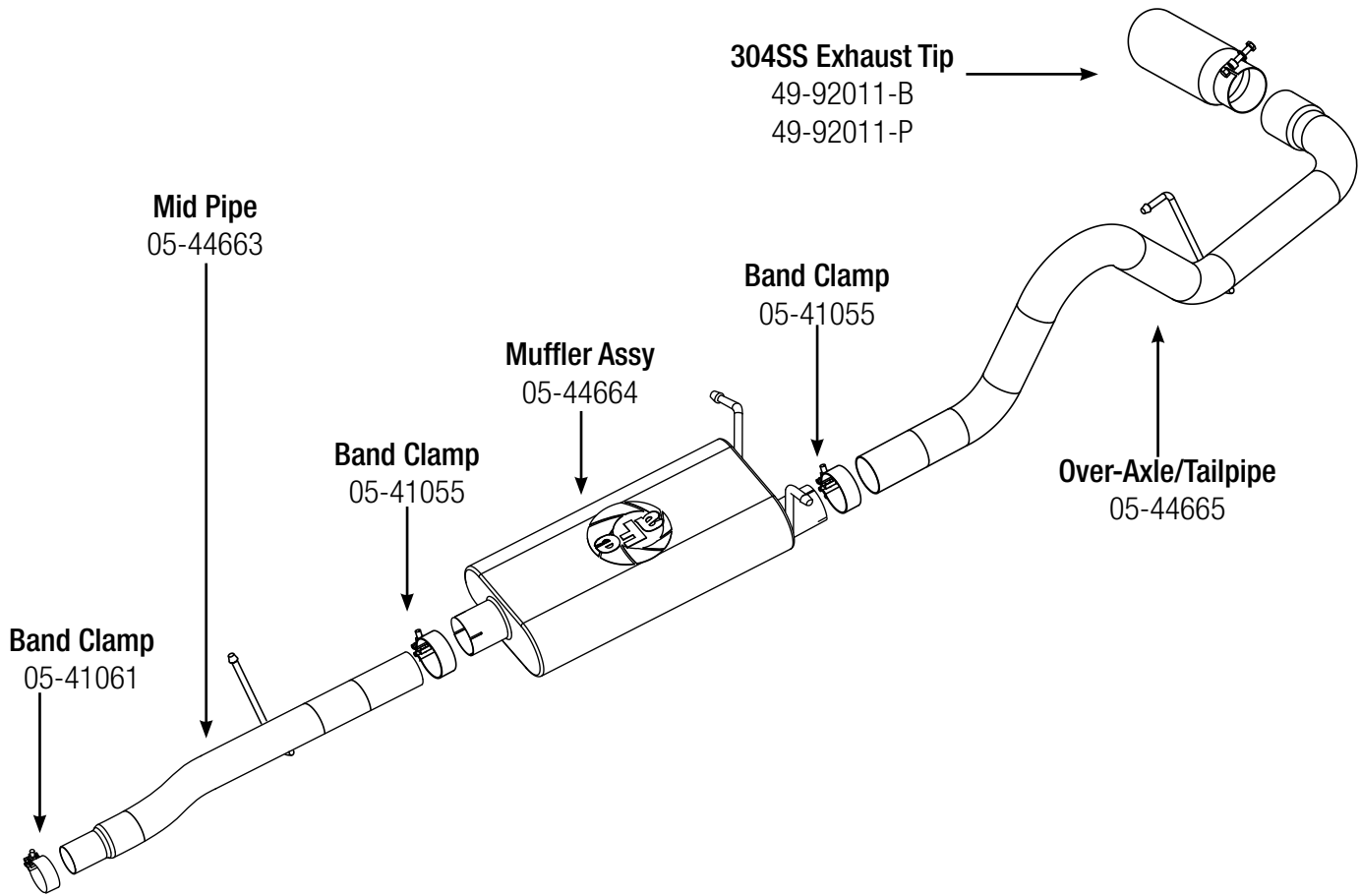




## INSTALLATION INSTRUCTIONS

MAKE: Ford  
MODEL: F-150  
YEAR: 1997-2003  
ENGINE: V8-4.6L & V8-5.4L  
WHEELBASE: 139"

**Cat-Back Exhaust**  
**49-43043-B (Black Tip)**  
**49-43043-P (Polished Tip)**



**Step 1: (Read Instructions prior to installation)** Remove your stock exhaust up to the catalytic converter from the rear of your truck working your way forward. Take caution not to damage the factory band clamp and isolation mounts as they will be reused.. **It is recommended to not fully tighten the clamps until the entire system has been installed.**

**Step 2:** For faster installation spread the pieces of the exhaust along side of your vehicle according to the diagram shown.

**Step 3:** Slip band clamp over expanded end of muffler assembly prior to installation.

**Step 4:** Install mid pipe into both the slip fit and the muffler assembly.

**Step 5:** Utilizing the factory isolation mounts now install over-axle/tailpipe and tighten all band clamps from front to rear.

**Step 6:** Your installation is now complete. It is recommended to re-tighten all exhaust components after 50-100 miles.

### NOTES:

- aFe recommends that the tailpipe be at least 1/2"-1" away from any body panels to avoid heat related body damage. **Tighten and secure.**
- Controller/Programers are required to operate this system. Extra sensor bungs are included and need to be welded in place if your programmer requires sensors.

**Caution:** Allow time for your vehicle to cool down prior to installation. When working on or under your vehicle proceed with caution. Exhaust systems reach high temperatures and may cause serious burns. Wear protective safety equipment; eye goggles and gloves to ensure a safe installation. **aFe recommends professional installation on our products.**

We offer exhaust systems that are tested to the limit and beyond.