



INSTALLATION INSTRUCTIONS

Cat-Back Exhaust

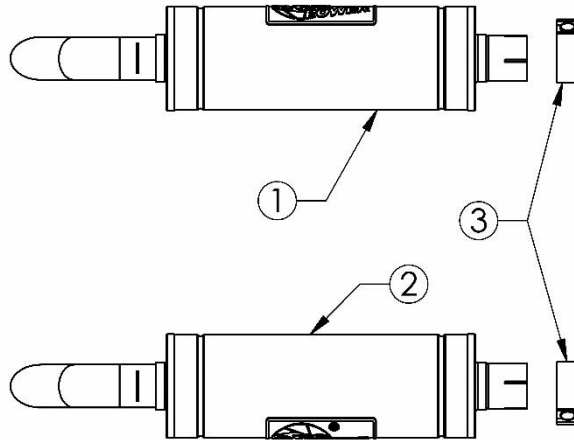
MAKE: Mercedes

49-36501

MODEL: Benz

YEAR: 2002-2008

ENGINE: V8-5.0L



Item	Description	Part Number	Quantity
1	Left Muffler Assembly	05-245220	1
2	S/A Right Muffler Assembly	05-245221	1
3	Clamp, Band: 2-1/2"	05-41061	1

aFe POWER recommends professional installation on this product. Thoroughly inspect the aFe POWER exhaust system to make sure there is no damage from shipping (if damage is noted, immediately contact aFe POWER customer service). Allow time for your vehicle to cool down prior to installation. When working on your vehicle proceed with caution. Wear protective safety equipment; eye goggles and gloves to ensure a safe installation.

Install band clamps to proper torque specifications of 40-45 ft-lb.

Install V-band clamps with anti-seize lubricant and hand tighten only to torque specifications of 10-15 ft-lb.





INSTALLATION INSTRUCTIONS

Cat-Back Exhaust

MAKE: Mercedes

49-36501

MODEL: Benz

YEAR: 2002-2008

ENGINE: V8-5.0L

1. **(Read instructions prior to installation.)** It is recommended to not fully tighten the exhaust until it has been fully installed. Leave loose for adjustability.
2. Secure vehicle on jack stands (refer to your manual for specified jack stand positions).
3. For faster installation, spread out the parts of the exhaust alongside your vehicle as shown in the diagram above.
4. Secure the stock exhaust with jack/stands.
5. Loosen the 4x Bolts and the 2x clamps holding the O.E. Rear Center Muffler.
6. Remove the O.E. Rear Center Muffler
7. Loosen the 3x Bolts on the flanges that connect the O.E. Mid-pipe to the O.E. Left Muffler.
8. Loosen the Bolt on hanger bracket holding up the Left O.E. Muffler.
9. Remove the O.E. Muffler and Gasket.
10. Pull the flange from the O.E. Mid-Pipe
11. Repeat Steps 7-10 on the right side.
12. Slide aFe Power Left Muffler Assembly into the O.E. Mid-Pipe and secure with provided 2.5" band clamp
13. Install hanger into O.E. Hanger bracket using O.E. hardware.
14. Repeat Steps 12-13 on the right Side.
15. Ensure that all the components of the aFe POWER exhaust system are aligned and are at a safe clearance from all wires, hoses, brake lines, body parts, and tires.
16. Start from the front of the aFe exhaust system and evenly tighten all clamps and fasteners.
17. Start the vehicle and check for any leaks. If any leaks are found, determine cause and repair as necessary.
18. Remove vehicle from jacks stands.
19. It is recommended to re-tighten all clamps and hardware after 50-100 miles.