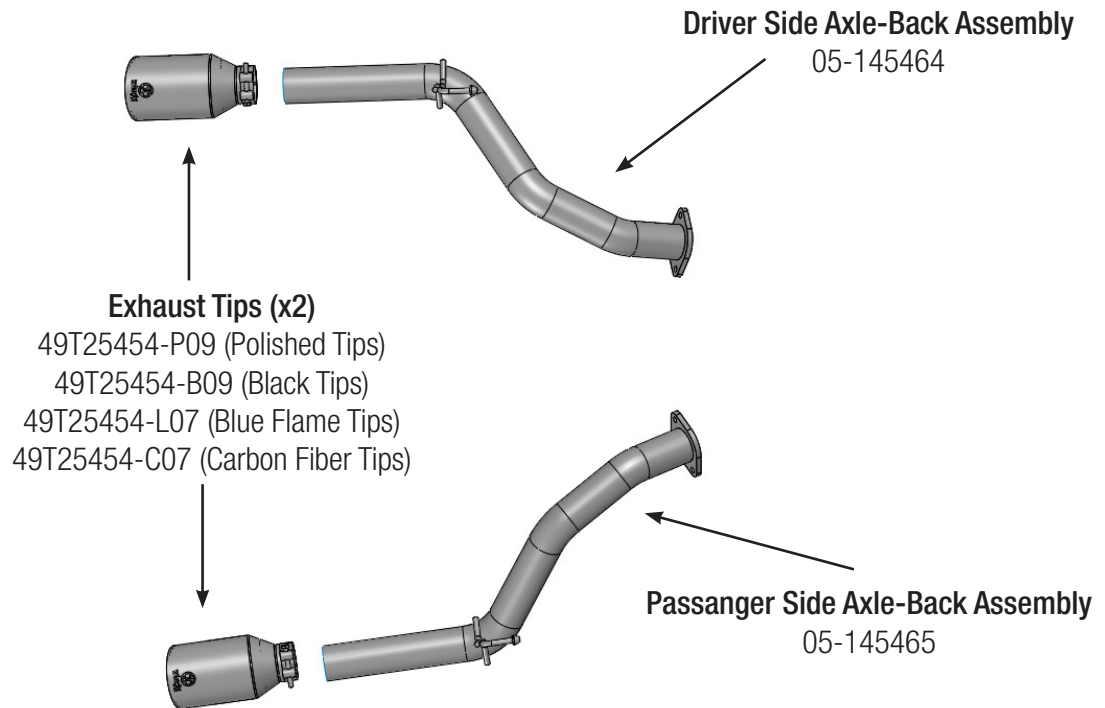




INSTALLATION INSTRUCTIONS

MAKE: Infiniti
MODEL: Q50
YEAR: 2016-2018 Sport / Red Sport 400
ENGINE: V6-3.0L (tt)

Axle-Back Exhaust
49-36130NM-P (Polished Tips)
49-36130NM-B (Black Tips)
49-36130NM-L (Blue Flame Tips)
49-36130NM-C (Carbon Fiber Tips)



Professional installation is highly recommended. (Read instructions prior to installation). Make sure to always have at least (2) stands or jacks on hand to support the removal of OE system. Also for the installation of aFe system. Any Removal of rubber isolation mounts may require using a spray lubricant such as WD40 and a pry bar.

Step 1. (Read Instructions prior to installation) for faster removal and installation of exhaust a trained professional is recommended for this procedure.

Step 2. Secure stock exhaust with jack/stands.

Step 3. Support the muffler with stand. Loosen and remove the (x3) bolts on the each side hanger brackets holding muffler. Loosen and remove four nuts from mid pipe.

Step 4. Remove the stock muffler.

Step 5. Remove the hanger brackets off the stock muffler section and transfer onto the Takeda axle back exhaust system.

Step 6. Install the Takeda axle back driver side using stock bolts and nuts and tighten.

Step 7. Install the Takeda axle back passenger side using stock bolts and nuts and tighten.

Step 8. Using the (x1) supplied 2-1/2" band clamps, install the Takeda right and left side clamp on tip onto the right and left side exhaust, **but do not tighten**.

Step 9. Once aligned and you're satisfied, you may now tighten complete system.

Step 10. Start the vehicle and check for any leaks.

Step 11. Double check all work and ensure everything is tight Congratulations, your system is now complete and full.

Step 12. Double check all work and ensure everything is tight. Congratulations, your system is now complete and fully installed! It is recommended to re-tighten all clamps and bolts after 50-100 miles.

Caution: Allow time for your vehicle to cool down prior to installation. When working on or under your vehicle proceed with caution. Exhaust systems reach high temperatures and may cause serious burns. Wear protective safety equipment; eye goggles and gloves to ensure a safe installation. **aFe recommends professional installation on our products.**

[View other performance exhaust systems made by aFe on our website.](#)