



## INSTALLATION INSTRUCTIONS

**MAKE:** GM

**MODEL:** Silverado HD/Sierra HD

**YEAR:** 2011-2016

**ENGINE:** V8-6.6L (td) LML

**WHEELBASE:** All except

Note: Does not fit 2016 3500HD w/ NOX Sensor

### 5" DPF-Back Aluminized

49-04041 (No Tip)

49-04041-P (Polished Tip)

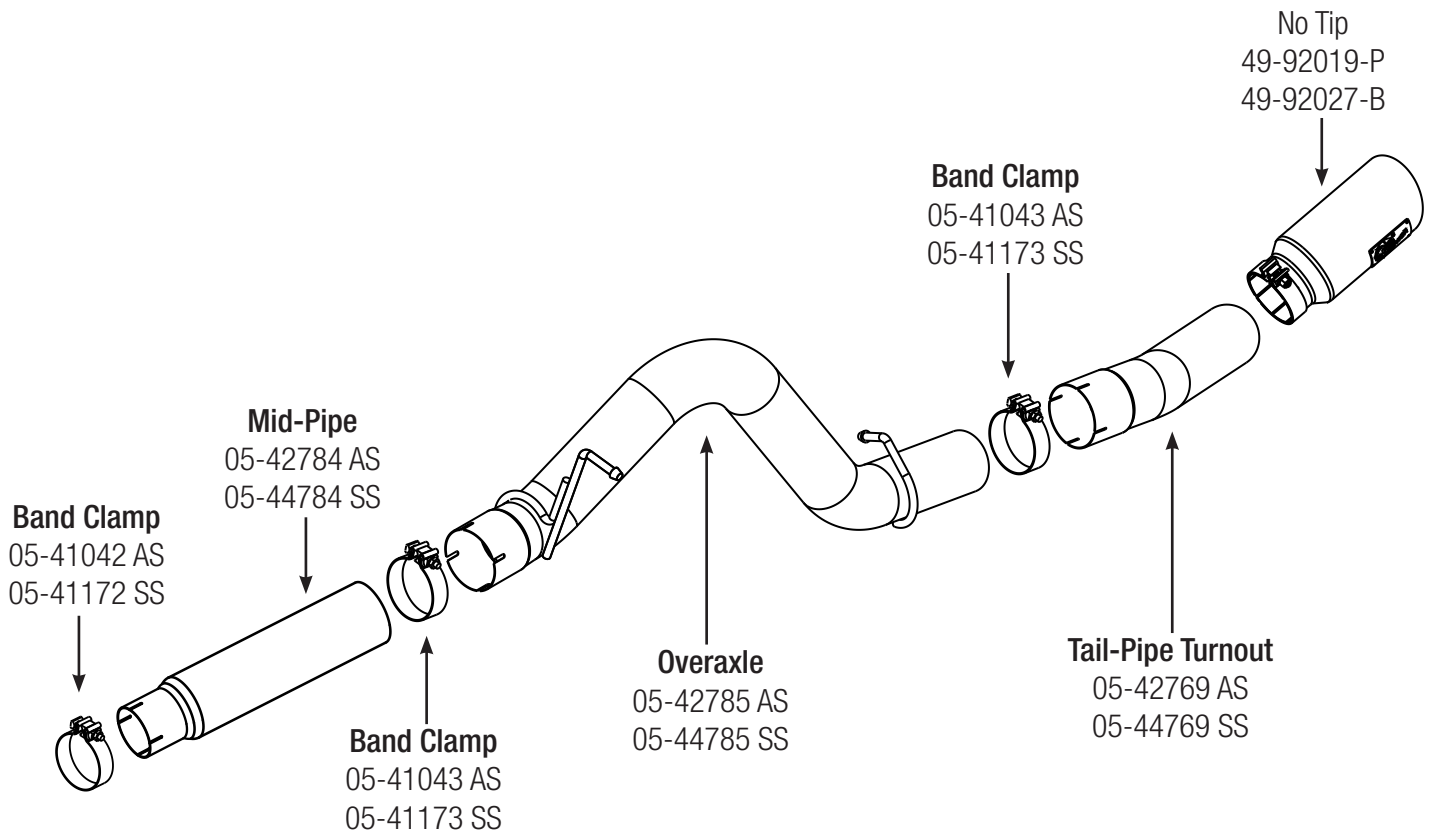
49-04041-B (Black Tip)

### 5" DPF-Back Stainless Steel

49-44041 (No Tip)

49-44041-P (Polished Tip)

49-44041-B (Black Tip)



**Step 1: (Read Instructions prior to installation)** Loosen mounting flange at rear of particulate filter before muffler. Remove the stock exhaust from the rear of the truck working your way forward. Take caution not to damage the factory isolation mounts and gasket as they will be reused. **It is recommended to not fully tighten the clamps until the entire system has been installed.**

**Step 2: (Requires Cutting)** Measure 4 inches from the rear hanger from the end of your DPF system. You will have to mark and cut off your tailpipe. This will allow you to separate and remove the tailpipe without removing your entire exhaust system.

**Step 3:** For faster installation spread the pieces of the exhaust along side of your vehicle according to the diagram shown.

**Step 4:** Install overaxle/tail-pipe, utilizing the factory isolation mounts.

**Step 5:** Install the mid-pipe with the provided 4" band clamp. Regular cab and quad cab short bed will require that the mid-pipe be cut at the end opposite from the slip fit. Crew cab long bed will use the mid-pipe as is. The tail-pipe should be installed so that the overaxle bend is closer to the drive shaft for increased tail-pipe/shock clearance.

**Step 6:** Install the exhaust tip on the tailpipe. Adjust for alignment and tighten all connections. Your installation is now complete. It is recommended to re-tighten all exhaust components after the first 50-100 miles.

#### NOTES:

- aFe recommends that the tail-pipe be at least 1/2"-1" away from any body panels to avoid heat related body damage. **Tighten and secure.**

**Caution:** Allow time for your vehicle to cool down prior to installation. When working on or under your vehicle proceed with caution. Exhaust systems reach high temperatures and may cause serious burns. Wear protective safety equipment; eye goggles and gloves to ensure a safe installation. **aFe recommends professional installation on our products.**