



INSTALLATION INSTRUCTIONS

DFS780 & DFS780 PRO Coolant Adaptor Kit 42-90001

NOTE: This kit is for use w/ factory 5/8" heater hoses. If your vehicle uses a different size heater hose, you will need to source additional fittings.

aFe recommends professional installation on our products



Parts Included:	Description:	Quantity:
• 44-FF019	• Fuel Filter DFS780	• 1
• 05-60714	• Spacer, Coolant	• 1
• 03-50505	• Nut, Coolant Spacer	• 1
• 03-50541	• Fitting, 3/8" NPT to 5/8" Hose Barb	• 2
• 03-50543	• Fitting, 90 Deg.	• 2
• 03-50091	• Clamp	• 6
• 03-50540	• O-Ring, Viton (-240)	• 1
• 03-60493	• O-Ring, Viton (-230)	• 1

NOTE: The 5/8" heater hose for the kit is NOT supplied and needs to be sourced locally.

- 1: Partially drain the cooling system as you will be tapping into the heater hose.
- 2: Remove and discard the fuel filter from the DFS780 manifold.
- 3: Apply Teflon tape with PTFE or Teflon paste with PTFE to the supplied (2) 3/8" NPT to 5/8" hose barb fittings.
- 4: Install the 3/8" NPT to 5/8" hose barb fittings into the supplied Coolant Spacer.
- 5: Apply a light coat of grease to the supplied O-rings and install them into the Coolant Spacer.
- 6: Install the Coolant Spacer, with the O-rings touching the bottom of the DFS780 manifold, using the supplied Coolant Spacer nut. Make sure to position the Coolant Spacer in the direction you are running the coolant hoses.
- 7: **Please see Figure #1.** Locate a 5/8" coolant hose. Find a suitable location to cut the hose and then install the supplied 90° fittings into each end of the hose and secure with the supplied hose clamps.
- 8: Install 5/8" heater hose (not supplied) onto the installed 90° fittings using the hose clamps. Carefully run the heater hose to the Coolant Spacer. Be careful that the heater hose does not touch any moving parts or hot exhaust. Attach the hoses using the hose clamps.
- 9: Tighten the coolant spacer nut using a 1-1/4" wrench/socket.
- 10: Install the supplied fuel filter.
- 11: Fill the cooling system with the OEM specific coolant. It will be necessary to bleed the coolant system to purge the air from the system.

Note: All vehicles have different procedures for filling the cooling system. Please make sure to follow the manufacturer's instructions.

- 12: Start the engine and allow the vehicle to warm up.
- 13: Check for any leaks.
- 14: Installation is now complete.



INSTALLATION INSTRUCTIONS

DFS780 & DFS780 PRO Coolant Adaptor Kit 42-90001

NOTE: This kit is for use w/ factory 5/8" heater hoses. If your vehicle uses a different size heater hose, you will need to source additional fittings.

aFe recommends professional installation on our products

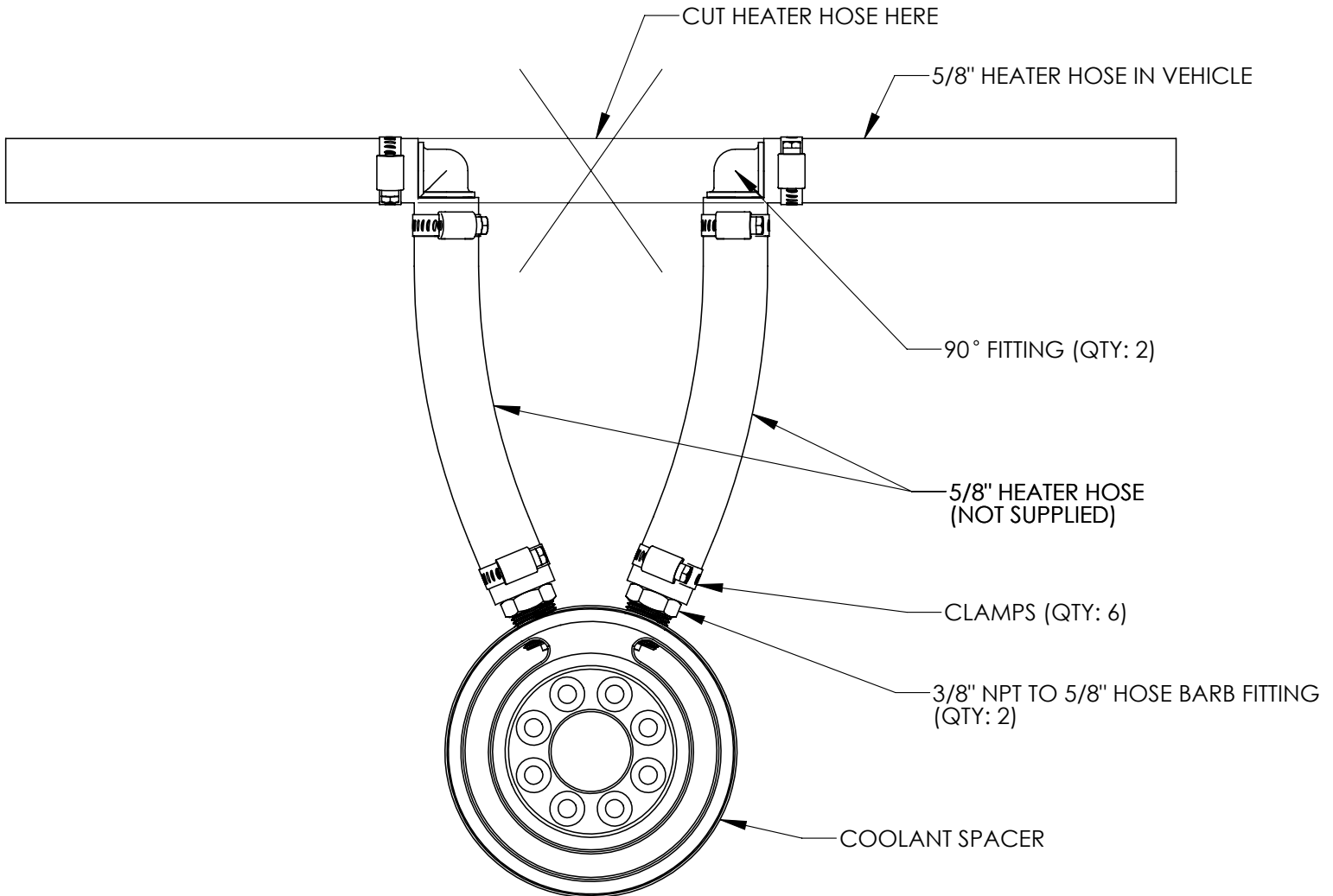


Figure #1.

Rely only on high-grade performance fuel system parts offered on our virtual shelves.