



Equipped with AEM® *Dryflow™* Filter  
No Oil Required!

## **INSTALLATION INSTRUCTIONS**

### **PART NUMBER:21-8402**

---

1999-2004 TOYOTA Tacoma V6-3.4L  
1999-2002 TOYOTA 4Runner V6-3.4L

C.A.R.B. E.O. # D-670  
C.A.R.B. E.O. # D-670

## PARTS LIST

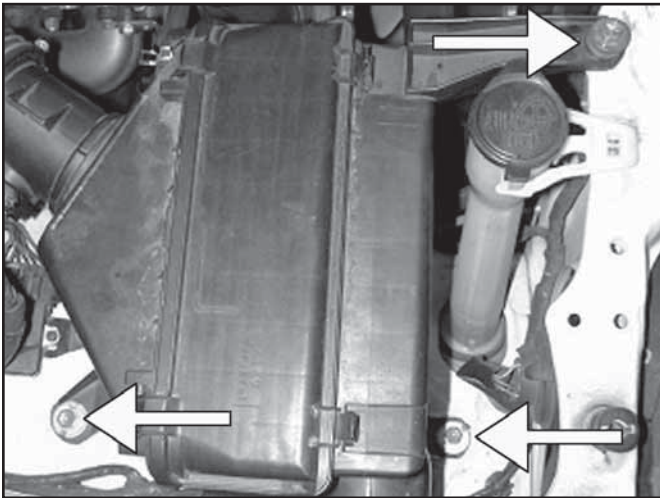
Description	Qty.	Part Number
Element Parts Kit 2.75 X 5" Dry Ele.	1	21-202DK
Heat Shield	1	20-8402
Inlet Pipe	1	2-84021
Hose, Silicone 2.75x2" Black	1	5-272
Hose; 1/4"ID X 16"L	1	5-6018
Edge Trim, 21"	1	8-4021
Mount, Rubber 1" X 6mm	1	1228599
Elbow, Plastic 5/8"	1	8-120
Bolt, Socket 8-32 X 5/16 SS	2	1-2023
Bolt, Hex M8-1.25 X 20mm	2	1-2034
Washer, M8 X 16mm OD Zinc	2	1-3020
Washer, 6mm Soft Mount	2	559999
Nut, M6 Hex Serrated	2	444.460.04
Hose; 5/8"ID X 4"L	1	5-7004
Hose Clamp, 1"	1	99024.032
1/2" Bnd. Hose Clamp, 2.56"-3.50"	1	9448
1/2" Bnd Hose Clamp, 2.31-3.25"	2	9444

Read and understand these instructions **BEFORE** attempting to install this product. Failure to follow installation instructions and not using the provided hardware may damage the intake tube, throttle body and engine.

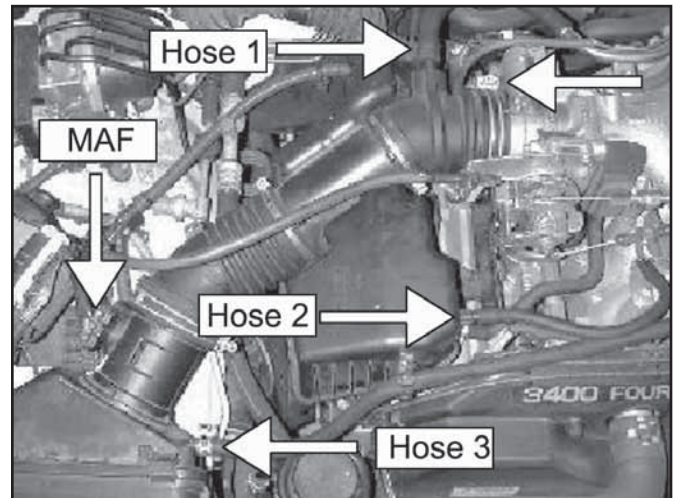
## 1. Preparing Vehicle

- a. Make sure vehicle is parked on level surface.
- b. Set parking brake.
- c. If engine has run in the past two hours, let it cool down.
- d. Disconnect negative battery terminal.
- e. Do not discard stock components after removal of the factory system.

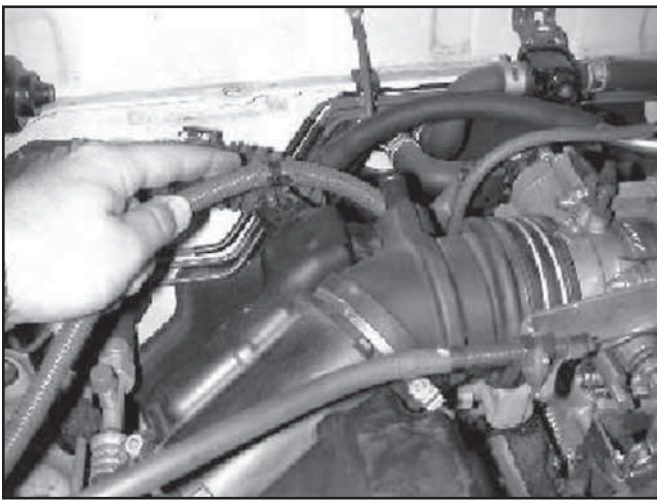
## 2. Removal of stock system



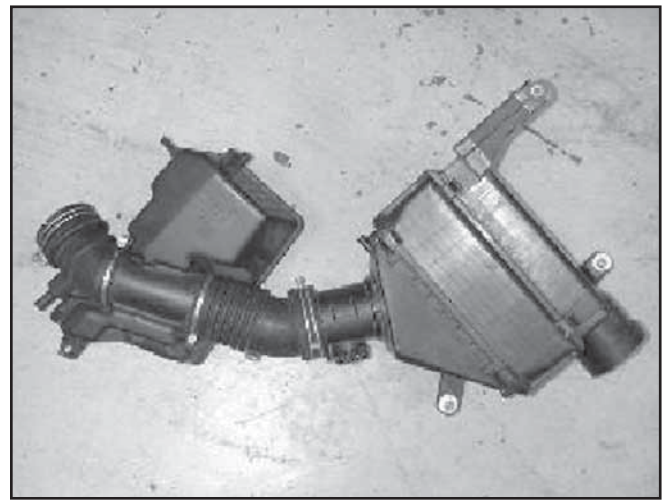
a. Remove the three bolts that hold the factory air box in place.



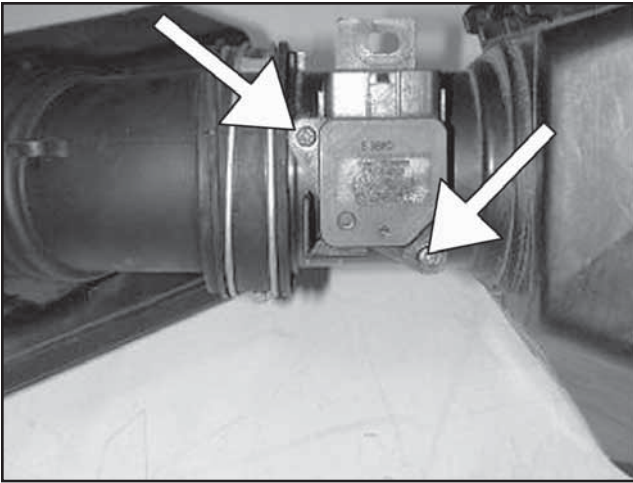
b. Unplug the Mass Air Flow (MAF) sensor and loosen the hose clamp around the throttle body. Unplug the three hoses connected to the air inlet system. Hose #1 is connected to the air box. Hose #2 is connected to the intake resonator. Hose #3 is connected directly to the intake tube.



c. Unhook the wiring harness from the air inlet system.



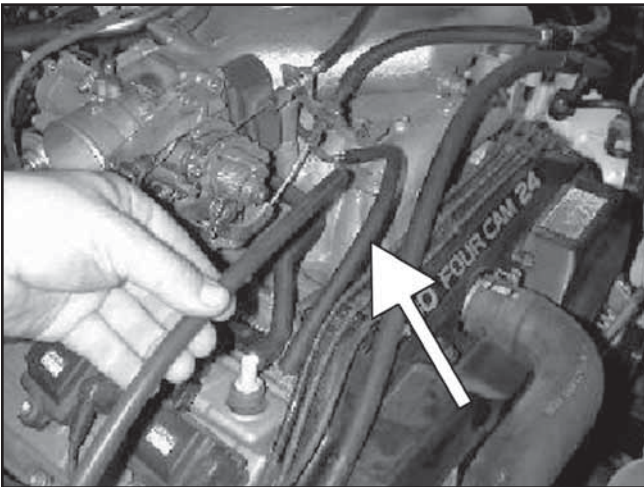
d. Remove factory air inlet system from engine bay.



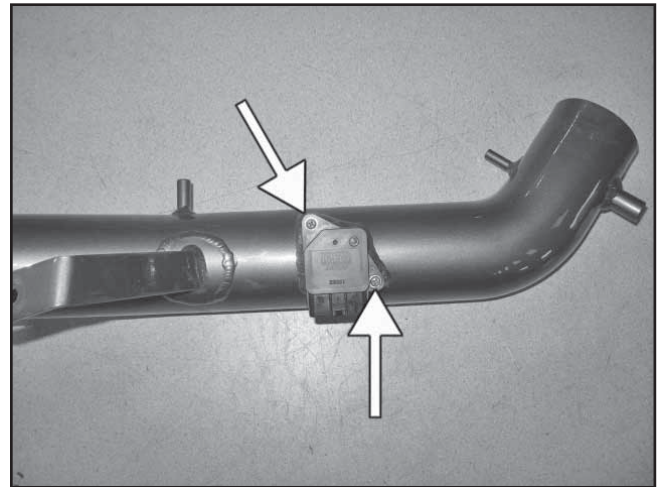
e. Remove the MAF sensor from the air inlet system by removing the two screws shown in the figure.

### 3. Installation of AEM® intake system.

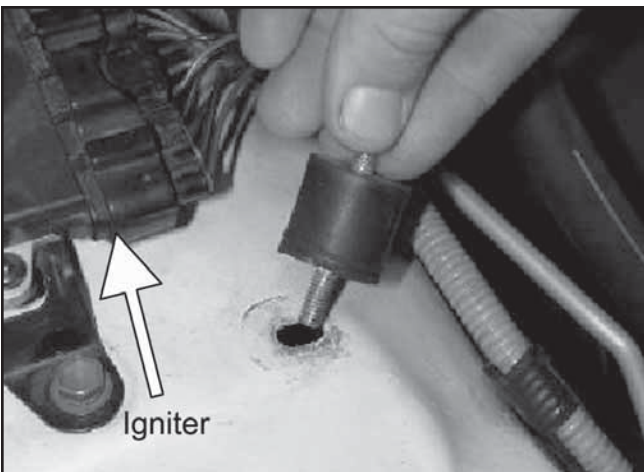
a. When installing the intake system, do not completely tighten the hose clamps or mounting hardware until instructed to do so.



b. Remove the factory vacuum hose, shown in the picture, and replace it with the 1/4" vacuum hose in the AEM® kit.



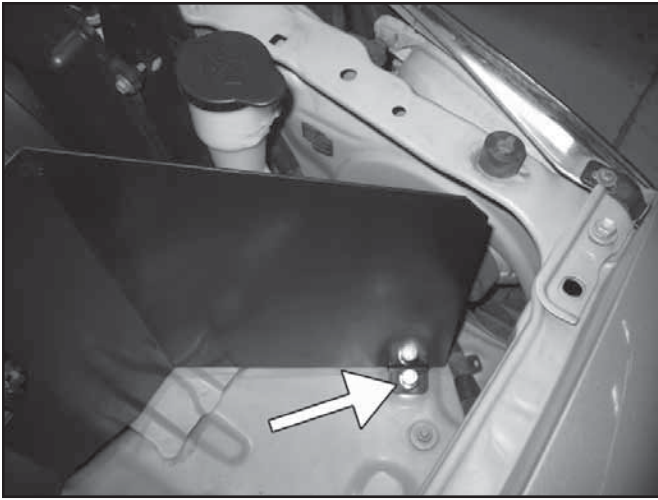
c. Install the MAF sensor into the AEM® intake pipe using the allen-head bolts included in the kit. Do not over-tighten the bolts.



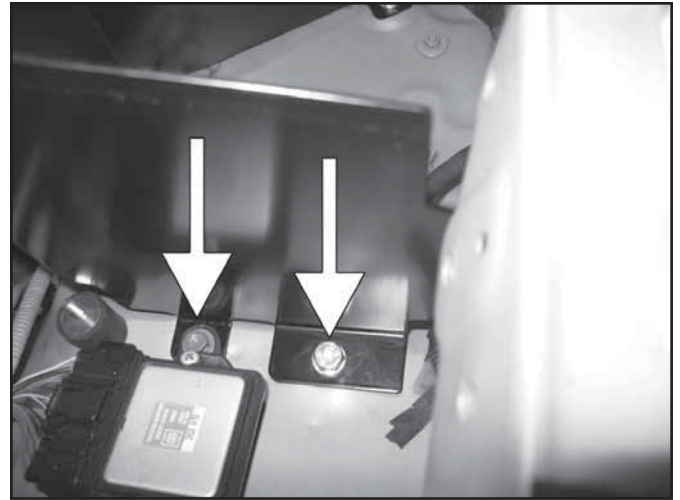
d. Insert the rubber mount into the pre-drilled hole in the fender well next to the igniter. Secure the rubber mount to the fender well by installing a 6mm nut and fender washer (included in kit) to the reverse side inside the wheel well.



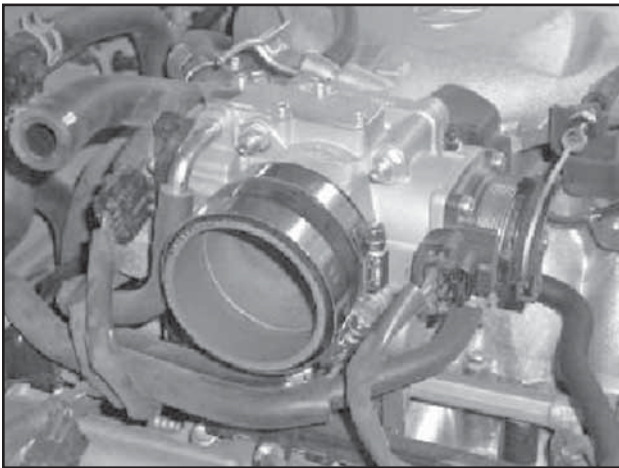




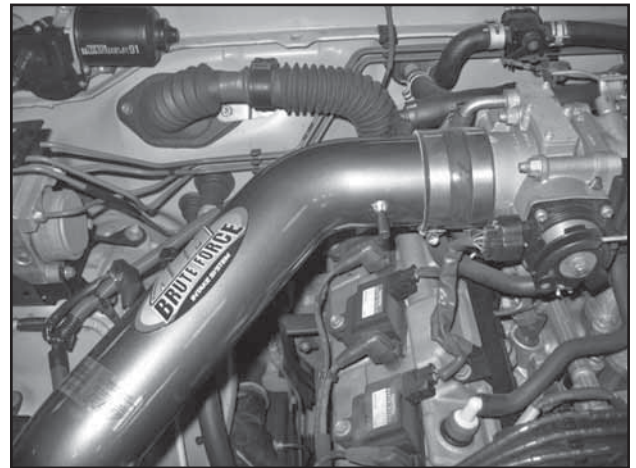
e. Insert heat shield. Secure the heat shield to mounting tab located behind the passenger headlight with provided M8 washer and bolt.



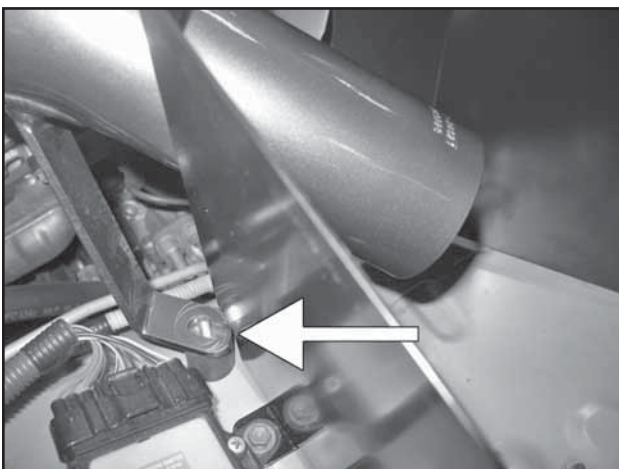
f. Secure the remaining mounting tab underneath the igniter tab with the factory M6 bolt. Secure the other side with the provided M8 washer and bolt.



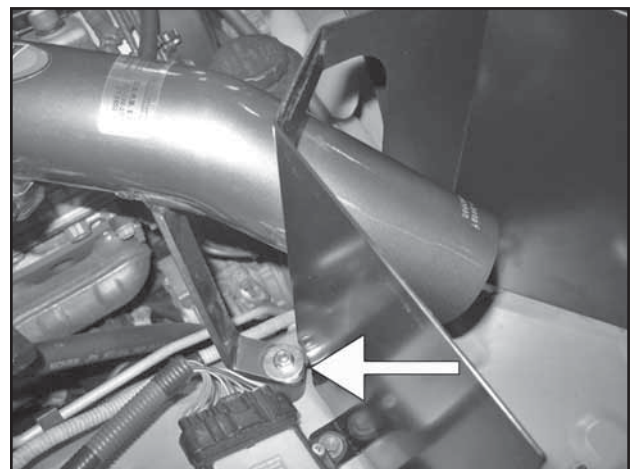
g. Attach coupler and secure to the throttle body with provided hose clamp. The other hose clamp should be loose.



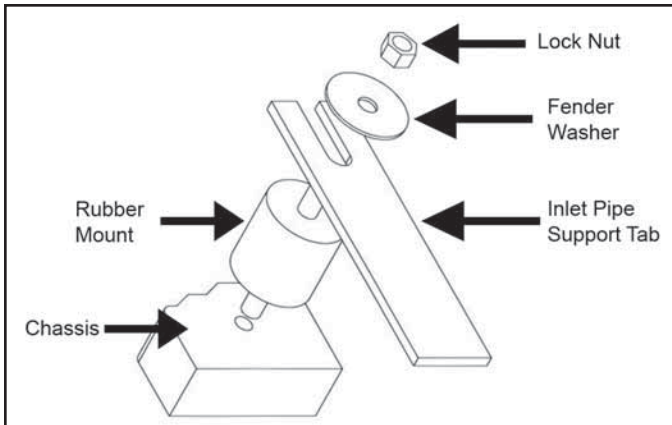
h. Insert the inlet pipe into the coupler. Line up the bracket to the installed rubber mount. See step 3i.



i. Once the bracket is lined up for fitment, tighten the hose clamp at the throttle body securing the inlet pipe.

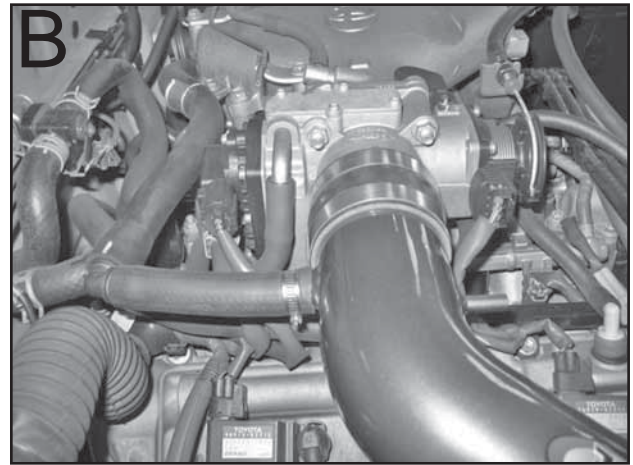
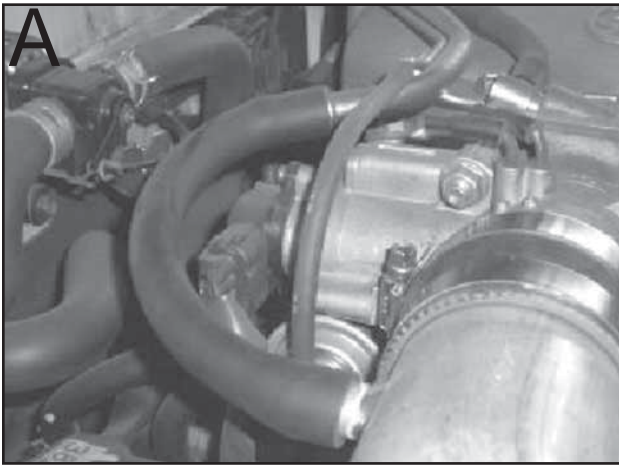
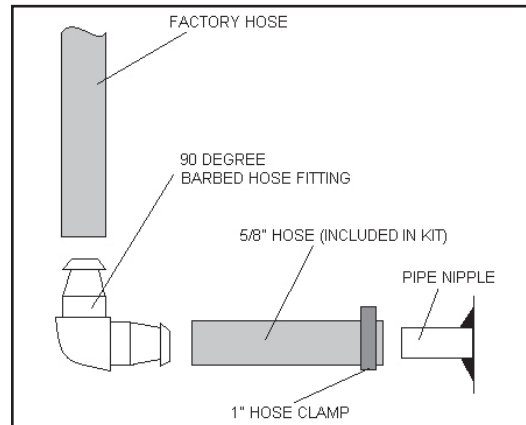


j. Secure the bracket with provided washer and serrated nut. Refer to diagram below on the next page for proper rubber mount assembly.



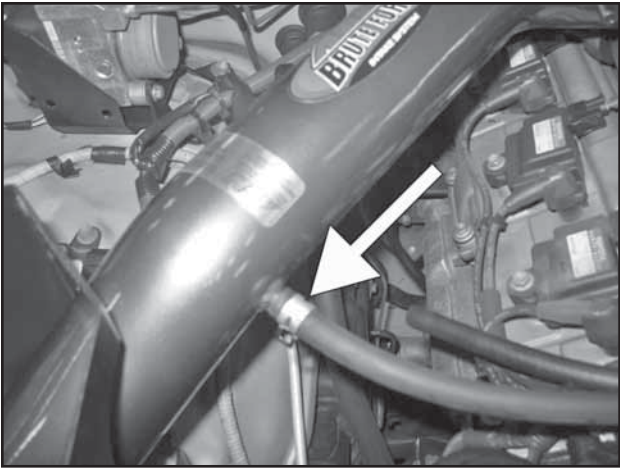
Proper assembly of the rubber mount

NOTE: If you have a 2001+ vehicle, the accessory hose shown in step 3k B will have a connector attached to it. In this case, remove the connector and insert the barbed fitting included in the kit into the hose. Attach the length of 5/8" hose included in the kit to the other end of the barbed fitting. Slide the other end of the tube onto the nipple and secure it in place with the 1" hose clamp. The figure at the right shows the layout of this assembly.

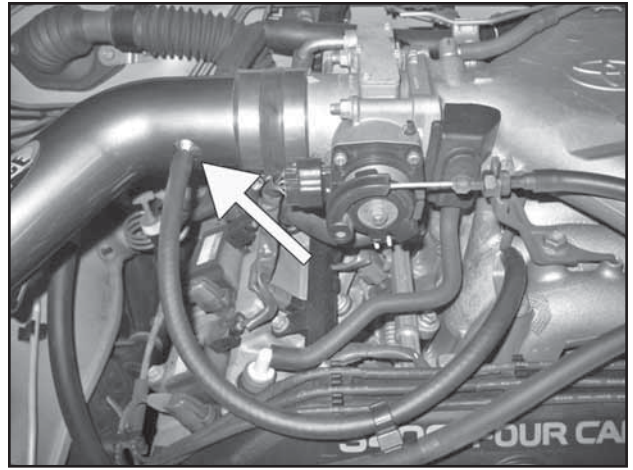


k. On 2000 and earlier models refer to figure A. On 2001 and up model year vehicles refer to figure B. for vacuum hose routing.

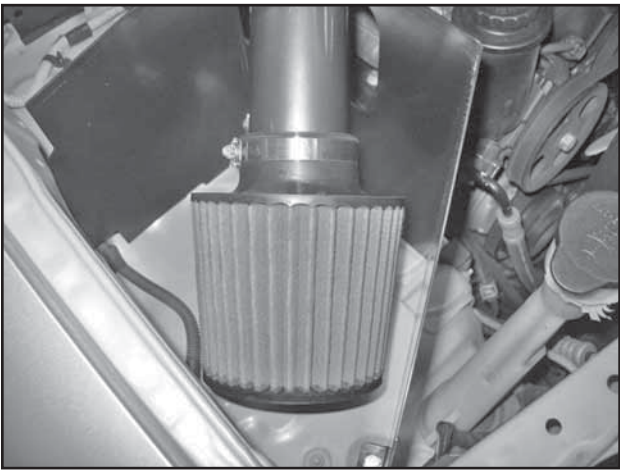




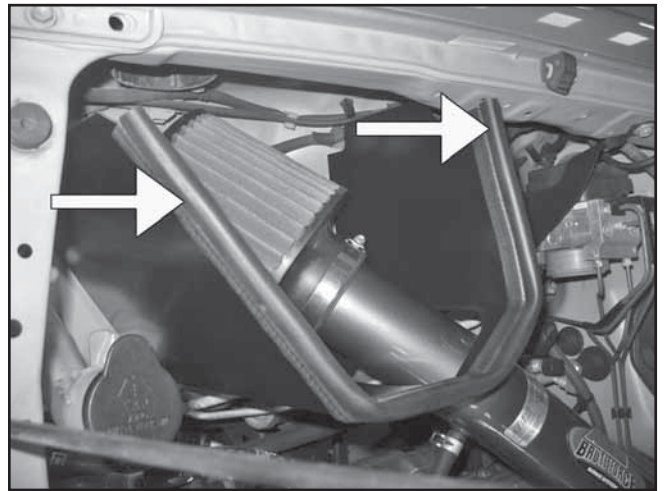
l. Reattach breather hose and secure with spring clamp.



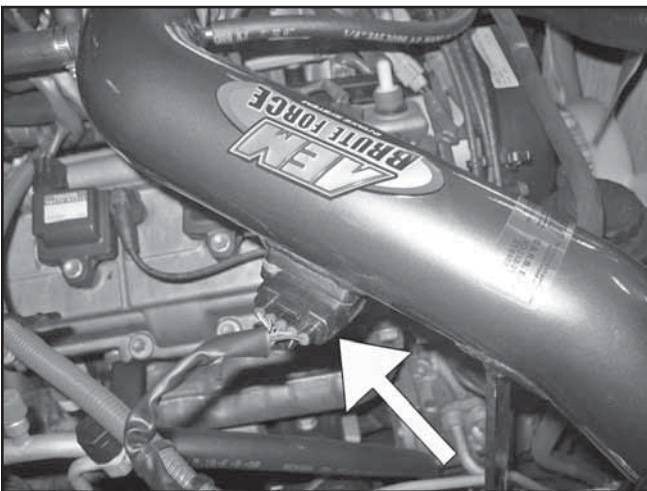
m. Attach the 1/4" hose to the nipple at the throttle body from step 2a.



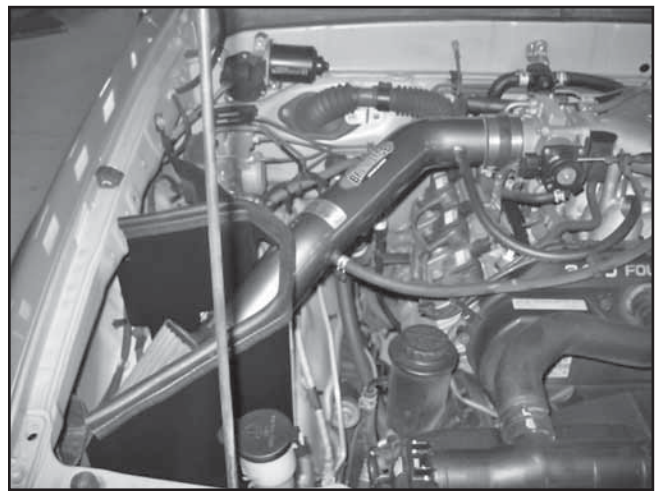
n. Attach the air filter and secure with hose clamp.



o. Attach rubber gasket to the top edge of the heat shield.



p. Reconnect the MAF sensor wiring harness to the MAF sensor in the pipe.



AEM® intake system installed

#### 4. Reassemble Vehicle

- a. Position the inlet pipes for the best fitment. Be sure that the pipes or any other components do not contact any part of the vehicle. Tighten the rubber mount, all bolts, and hose clamps.
- b. Check for proper hood clearance. Re-adjust pipes if necessary and re-tighten them.
- c. Inspect the engine bay for any loose tools and check that all fasteners that were moved or removed are properly tightened.
- d. Reconnect negative battery terminals and start engine. Let the vehicle idle for 3 minutes. Perform a final inspection before driving the vehicle.

#### 5. CARB Sticker Placement

- a. The C.A.R.B. exemption sticker, (attached), must be visible under the hood so that an emissions inspector can see it when the vehicle is required to be tested for emissions. California requires testing every two years, other states may vary.

#### 6. Service and Maintenance

- a. It is recommended that you service your AEM® Dryflow™ filter every 20,000 miles for optimum performance. Use AEM Dryflow cleaning kit part # 21-110.
- b. Use aluminum polish to clean your polished AEM® intake tube.
- c. Use window cleaner to clean your powder coated AEM® intake tube. **(NOTE: DO NOT USE aluminum polish on powder coated AEM intake tubes).**