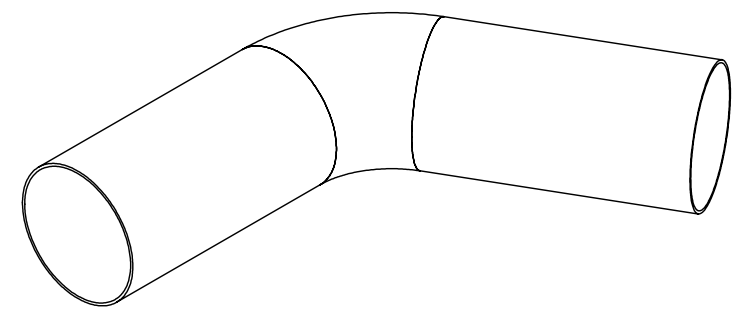
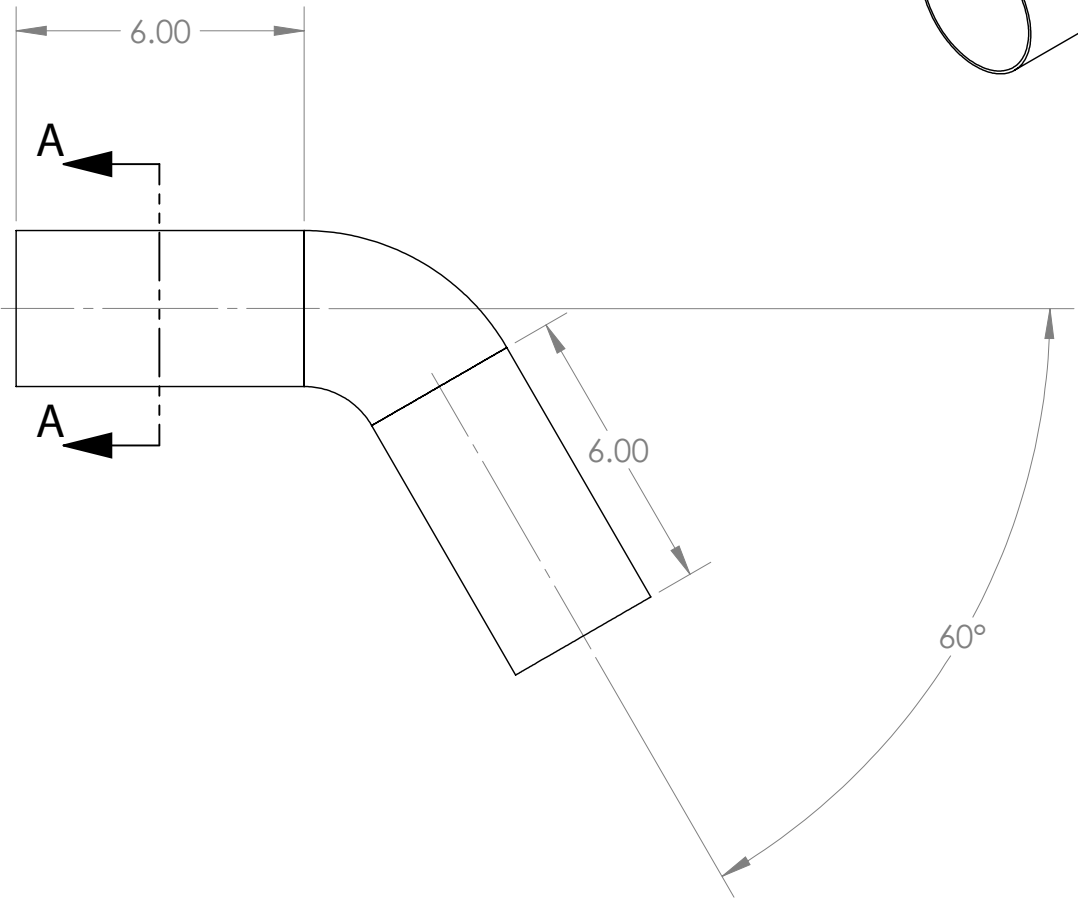


Ø 3.250 O.D.      .065 WALL

SECTION A-A  
SCALE 1 : 2



TITLE				TUBE, 3.25 DIA. AL, 60 DEG BEND, 1D			
SIZE	DWG. NO.			REV.			
B	AEM-2-004-60			A			
SCALE	1:4	<input type="radio"/> UK	<input checked="" type="radio"/> USA	<input type="radio"/>	SHEET 1 OF 1		