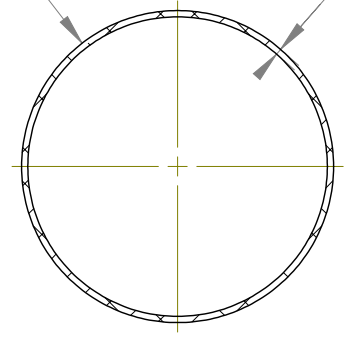
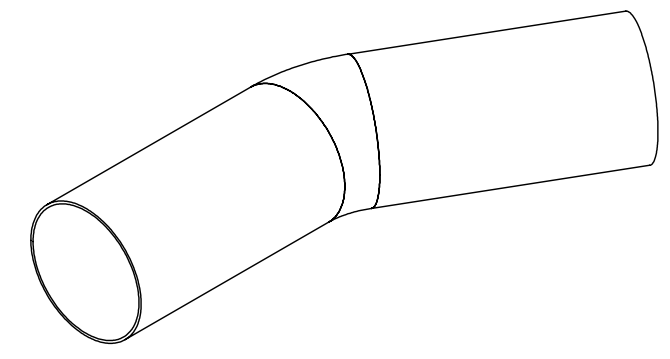
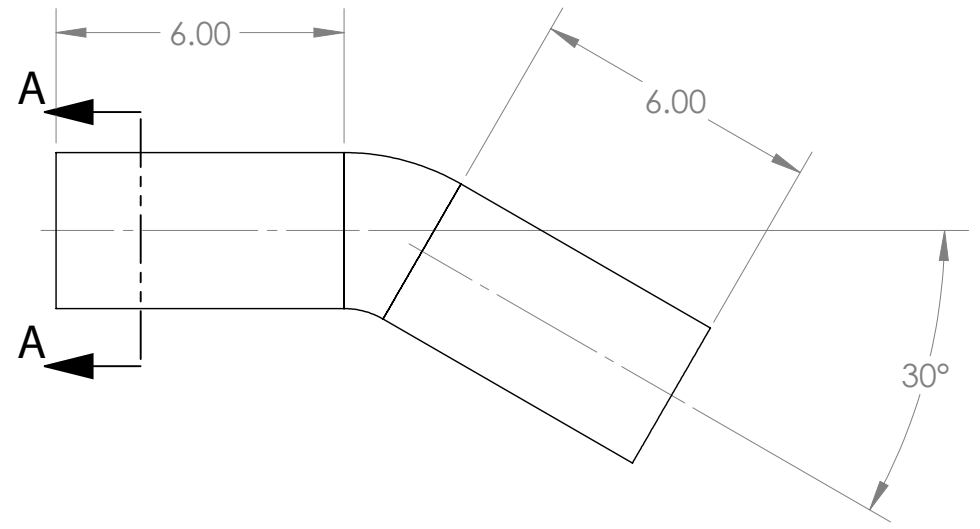


Ø3.250 O.D. .065 WALL



SECTION A-A
SCALE 1 : 2



| | | | |
|-------------------------------------|--------------|---|--------------|
| TITLE | | | |
| TUBE, 3.25 DIA. AL, 30 DEG BEND, 1D | | | |
| SIZE | DWG. NO. | REV. | |
| B | AEM-2-004-30 | A | |
| SCALE | 1:4 | <input type="radio"/> UK <input checked="" type="radio"/> USA <input type="radio"/> | SHEET 1 OF 1 |