

ADVANCE ADAPTERS INC.

P/N: 716008

**NEW TRANSMISSION CROSSMEMBER SUPPORT
NP231 WRANGLER VEHICLES**

KIT CONSISTS OF:

| No. | Qty | Part No. | Description |
|-----|-----|------------|---|
| 1. | 1 | 713010-B | BOLT PACK KIT |
| 2. | 1 | 716008-PLT | MOUNTING PLATE |
| 3. | 2 | 716660 | MOUNT-LARGE POLYURETHANE, 1.250" MALE INDEX |
| 4. | 2 | 716661 | MOUNT-LARGE POLYURETHANE, 1.250" FEMALE INDEX |
| 5. | 2 | 716662 | SLEEVE-BOLT SLEEVE |
| 6. | 2 | 723722 | H.H.C.S. 3/8"-16 x 1-1/4" LONG |
| 7. | 2 | 723735 | 3/8" FLAT WASHERS |
| 8. | 2 | 724303 | 7/16" LOCK WASHER |
| 9. | 2 | 724349 | H.H.C.S. 7/16"-14 x 1-1/2" LONG |

NOTE: This transmission support mount is designed around the use of the Advance Adapters transmission to transfer case housings. When used on Wrangler transfer case kits, the original transmission support and snubber can be eliminated. New holes will need to be drilled into the skid plate. We have provided four different hole locations for your selection. If necessary, new holes could be drilled at a different location. Once the mount is on the adapter housing, you will then be able to locate the holes in the skid plate area. On some installations that require additional skid plate clearance, it may be necessary to use some square structural tubing between the adapter and new crossmember bar. We have illustrated this in the optional design drawing illustrated below. On CJ5 and CJ7 vehicles 1980-86, we use a similar kit Part No. 716021 that offers a narrower stance.

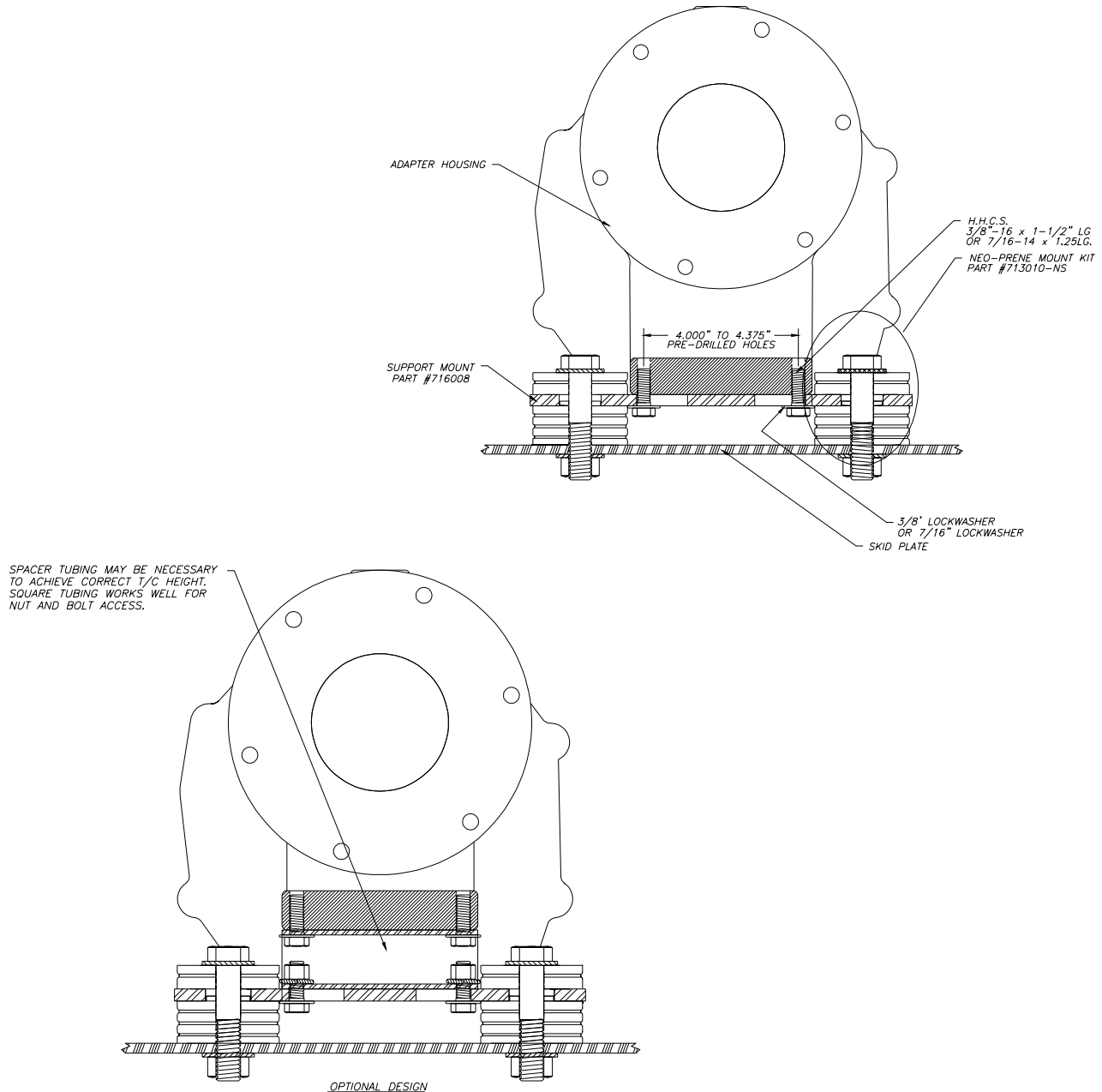


SPECIAL NOTE: The components packaged in this kit have been assembled and machined for specific type of conversions. Modifications to any of the components will void any possible warranty or return privileges. If you do not fully understand modifications or changes that will be required to complete your conversion, we strongly recommend that you contact our sales department for more information. This instruction sheet is only to be used for the assembly of Advance Adapter components. We recommend that a service manual pertaining to your vehicle be obtained for specific torque values, wiring diagrams and other related equipment. These manuals are normally available at automotive dealerships and parts stores.

ADVANCE ADAPTERS INC.

P/N: 716008

**NEW TRANSMISSION CROSSMEMBER SUPPORT
NP231 WRANGLER VEHICLES**



SPECIAL NOTE: The components packaged in this kit have been assembled and machined for specific type of conversions. Modifications to any of the components will void any possible warranty or return privileges. If you do not fully understand modifications or changes that will be required to complete your conversion, we strongly recommend that you contact our sales department for more information. This instruction sheet is only to be used for the assembly of Advance Adapter components. We recommend that a service manual pertaining to your vehicle be obtained for specific torque values, wiring diagrams and other related equipment. These manuals are normally available at automotive dealerships and parts stores.