

ADVANCE ADAPTERS INC.

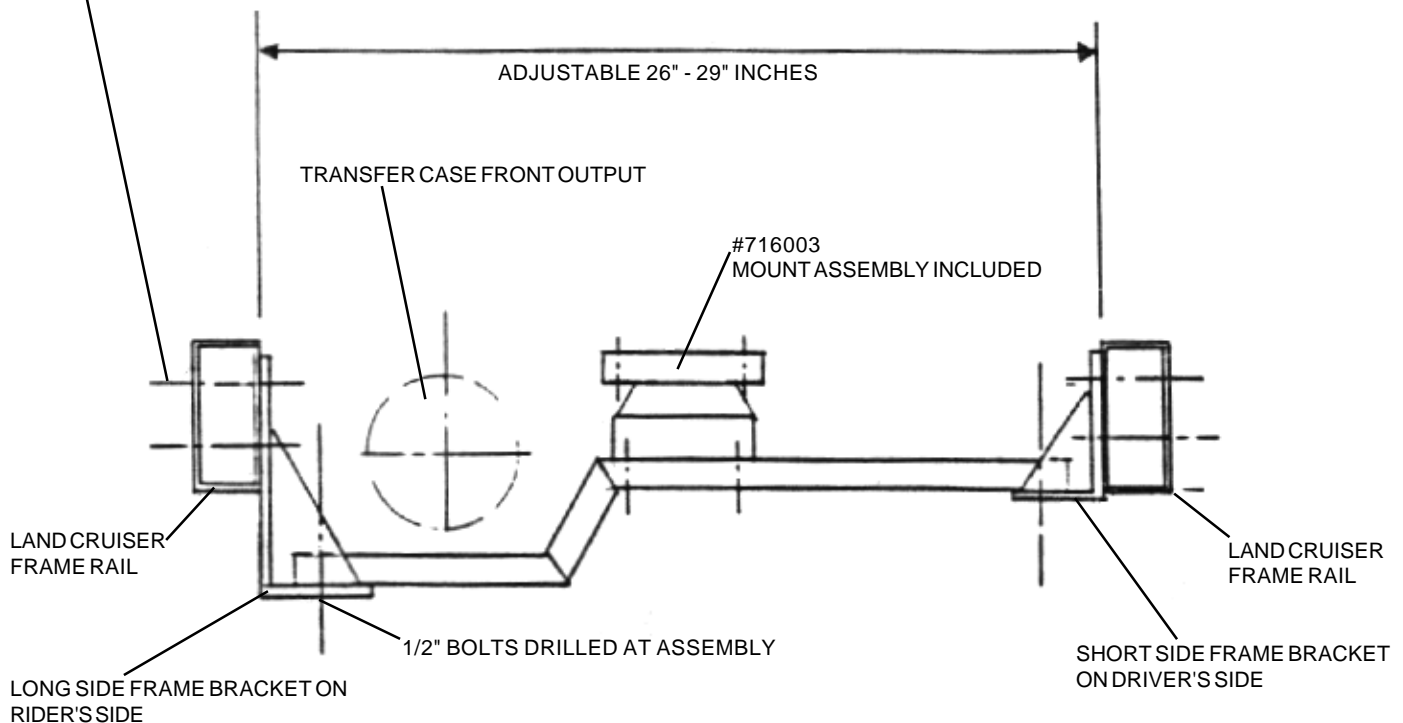
P/N: 716004

CROSSMEMBER ASSEMBLY FOR TOYOTA LAND CRUISERS

KIT CONSISTS OF:

No.	Qty	Part No.	Description
1.	1	716003 Kit	MOUNT
2.	1	716004-1	CROSSMEMBER BAR
3.	1	716004-2	LONG FRAME BRACKET
4.	1	716004-3	SHORT FRAME BRACKET
5.	6	724301	7/16" LOCK NUT
6.	6	724302	7/16" FLAT WASHER
7.	6	724303	7/16" LOCK WASHER
8.	2	724309	H.H.C.S. 7/16" X 2"
9.	4	724311	H.H.C.S. 7/16" X 3-1/2"
10.	2	725002	1/2" LOCK WASHERS
11.	4	725003	1/2" FLAT WASHERS
12.	2	725004	1/2"-13 HEX NUT
13.	2	725030	H.H.C.S. 1/2"-13 X 2-1/2" LONG

BOLT OR WELD FRAME BRACKETS TO THE INSIDE OF THE FRAME RAILS USING THE 3-1/2" LONG BOLTS



SPECIAL NOTE: The components packaged in this kit have been assembled and machined for specific type of conversions. Modifications to any of the components will void any possible warranty or return privileges. If you do not fully understand modifications or changes that will be required to complete your conversion, we strongly recommend that you contact our sales department for more information. This instruction sheet is only to be used for the assembly of Advance Adapter components. We recommend that a service manual pertaining to your vehicle be obtained for specific torque values, wiring diagrams and other related equipment. These manuals are normally available at automotive dealerships and parts stores.