

Preparation:

- Disconnect the negative battery terminal. Park the vehicle on level ground and set the emergency brake.
- We recommend reading through the installation instructions in whole before performing the work.
- Estimated Installation Time: **1 Hour (1.5 Additional Hours to Wire Light)**

*****This installation requires 2 people for best results*****

*****Labor Rates are based on a vehicle with no pre-existing damage. Wiring labor is based on a standard wiring procedure with light switches installed in an easily accessible location. Custom light triggering or switch mounting location will result in a greater labor charge.*****

You will need the following tools:

- Ratchet
- 7/32" Allen Wrench/Socket
- 5/16" Allen Wrench/Socket
- 9/16" Wrench
- 3/4" Wrench

Included in Kit:

- | | | | |
|-----------|--|-----------|------------------------------------|
| 6 | - Button Head Bolts (1/2"-13 x 1 1/2") | 6 | - Flat Washers (1/2") |
| 6 | - Nylon Lock Nuts (1/2"-13) | 10 | - Button Head Bolts (3/8"-16 x 1") |
| 10 | - Flat Washers (3/8") | 10 | - Nylon Lock Nuts (3/8"-16) |
| 2 | - Chase Rack Side Pieces | 1 | - Chase Rack Cross Member |
| 2 | - Chase Rack Mounting Backer Plate | 2 | - Chase Rack Light Tabs |

Installation:

1. Set one of the Chase Rack Side Pieces in place on the vehicle. Make sure to line the tab on the bottom side of the Chase Rack up with the hole in the truck bed. (Fig A)



Fig A

2. Find the supplied backer plate. Set the backer plate behind the bed rail lip so that lip is sandwiched between the chase rack and the backer plate. Then, install the supplied 1/2" Bolts (x3), 1/2" Washers (x3), and 1/2" Lock Nuts (x3). Leave these bolts loose for now. (Fig B & Fig C)

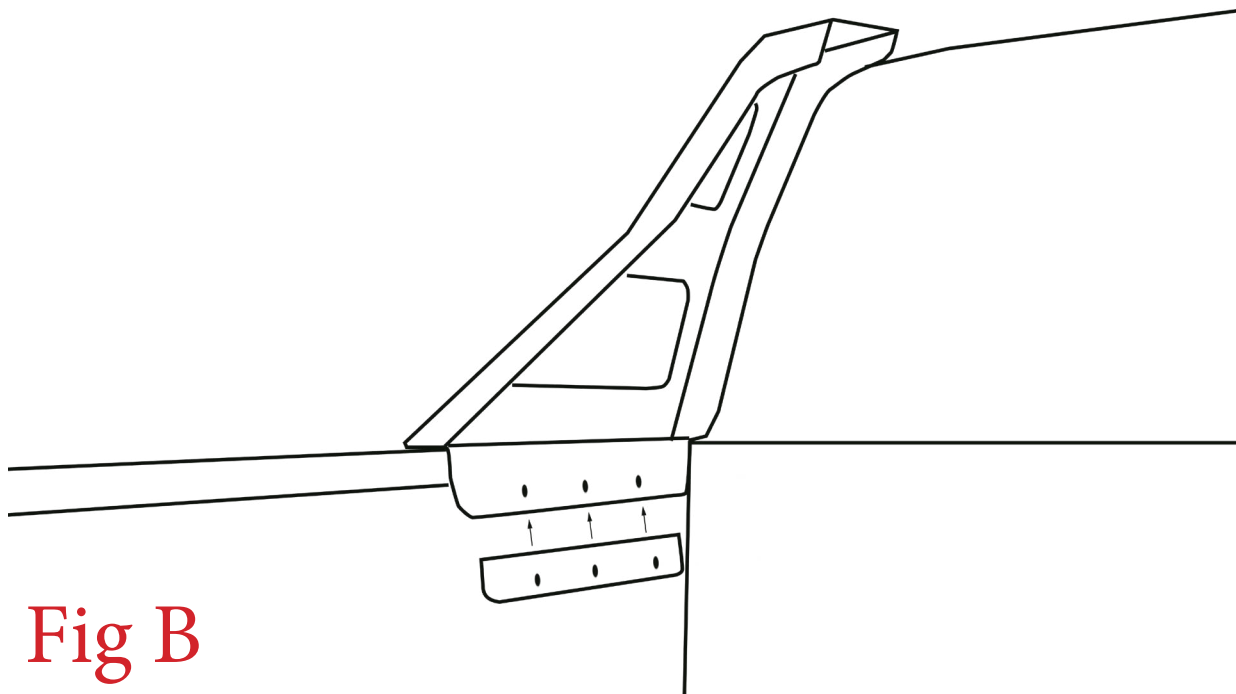
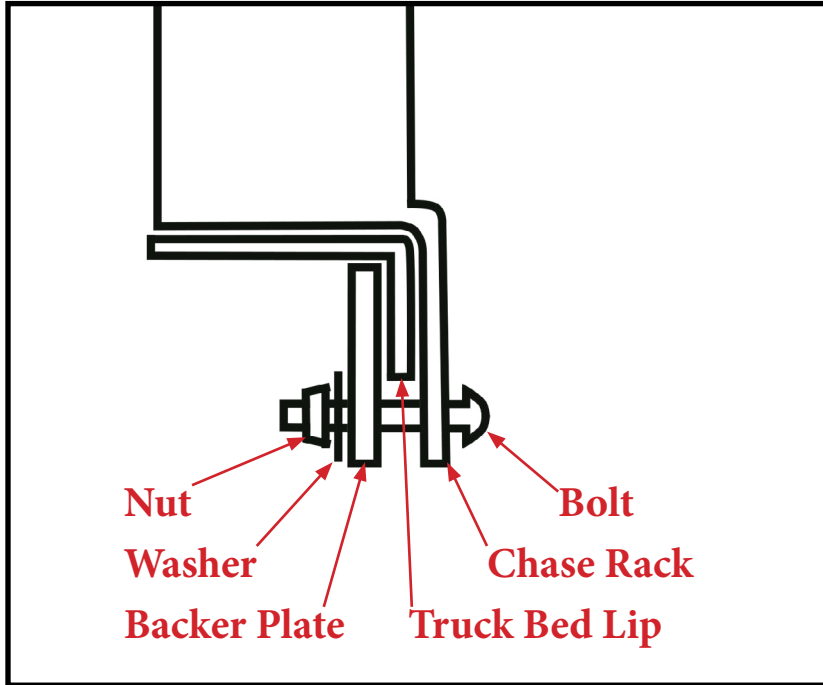


Fig B



3. Repeat Steps & with the other Chase Rack Side Piece.
4. If you have a 50" light to mount, follow this step. Mount both Light Tabs to the light bar using the light manufacturer's mounting hardware as shown in (Fig D).



Fig D

5. Set the Chase Rack Cross Member in place. If you are installing a light bar on your rack, install it at the same time as the cross member, using the top three cross member holes as the mounting holes for the light tabs. If you are not installing a light bar on your rack, then install the cross member without the light bar tabs. Use the supplied 3/8" Bolts (5 per side), 3/8" Washers (5 per side), and 3/8" Lock Nuts (5 per side). Leave these bolts loose for now. (Fig E)



Fig E

6. Tighten the 1/2" Mounting Bolts (from Step 2) to 70 foot pounds.
7. Tighten the 3/8" Mounting Bolts (from Step 5) to 30 foot pounds.
8. Use the light manufacturer's installation instructions to wire your light (if applicable).
9. Stand back and enjoy your new ADD Stealth Fighter™ Chase Rack.
10. Check and re-tighten, if needed, all mounting bolts after 100 miles and periodically thereafter.

