

SAFETY NOTICE:

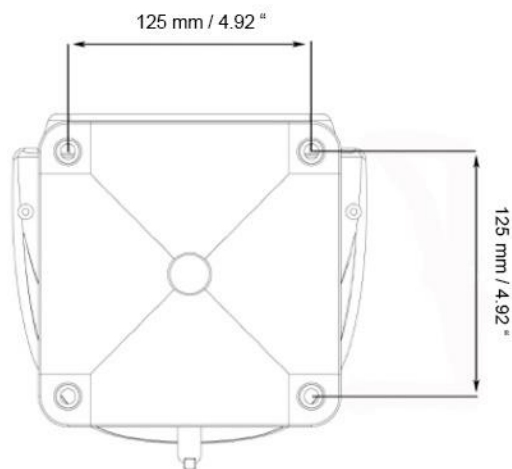
- Ⓒ If replacing LED module, the LED module connector should be connected correctly for positive and negative wires.

RED and BLUE: Positive (+)
BLACK and BROWN: Negative (-)
- Ⓒ FCC RULE Part. 15.21 : Changes or modifications not expressly approved by the party responsible for compliance could void the user's authority to operate the equipment.
- Ⓒ This device complies with Part 15 of the FCC Rules. Operation is subject to the following two conditions: (1) this device may not cause harmful interference, and (2) this device must accept any interference received, including interference that may cause undesired operation.
- Ⓒ This searchlight is a Radio Frequency (RF) device which operates on Channel 433.92 MHz. It will send out RF energy when it is in operation.
 1. RF energy may affect some electronic equipment.
 2. Some electronic equipment on vehicles or boats may be affected by RF energy.

Contents Included in the RCL-95 Box:

- RCL-95 Searchlight / Mounting Screw Set & Mounting Template
- Handheld Wireless Remote Control
- Wired Joystick Controller & Cable

INSTALLATION:



RCL-95

Multi-Function Motorized LED Searchlight TECHNICAL MANUAL

FEATURES:

360° Continuous Rotation & 135° Tilt
Programmable Wireless Handheld
Remote Control
UV Ray and Saltwater Resistant
Automatic return to home position
when searchlight is turned off*

***Important Notice:** If searchlight DC power is disconnected (wires disconnected from battery or power supply switched off), after reconnecting to power, make sure to turn on the searchlight using the wireless or wired remote, to make a full 360° rotation, in order to reset the home position memory.



SPECIFICATIONS:

Housing Color: Black (p/n 1959) / White (p/n 1958)

Performance: 360° Continuous Rotation / 135° Tilt

LED Module:

Lamp: 10 OSRAM High Power LEDs

Wattage: 50W

Luminous intensity: 460,000 Candelas

Color Temperature: 5,700-6,000K

Beam distance: 4501 ft (1372m)

Beam Pattern: Spot

Energy Efficient: 4 Amps (12V) to 2 Amps (24V)

Cast Aluminum Heat Sink & Hardened Polycarbonate Lens

IP 68 LED Module / IP 56 Housing

Radio Frequency: 433.92 MHz

Wireless Remote Operation Distance: 213 ft. (65m)

Power: 12V-24V (Multi-voltage)

Weight: 4.2 lbs / 1.9 Kgs

Approvals: FCC / CE / R10

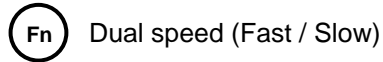
Working Environment: -30°C (-22°F) to +70°C (+158°F)

OPERATION:

1. Press on/off button to Switch on or off searchlight.
Change direction of the light beam by pressing the direction buttons.

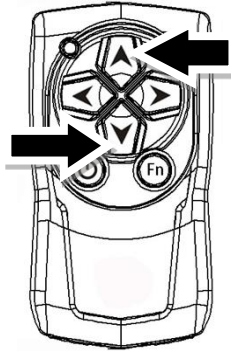


2. Utilize the Function button to switch speed



HANDHELD WIRELESS REMOTE PROGRAMMING:

1. Switch off DC Power or disconnect from battery.
2. Make sure there is NO other transmitter operating at the same time.
3. Switch on DC power, within 5 seconds press remote up ▲ and down ▼ button once simultaneously.
4. Searchlight will flash to acknowledge the remote. Connection has been made.
5. Up to 4 remotes may be used with the searchlight (programming a fifth remote will replace the first). To program a second remote, within five seconds of programming the first remote, press the second remote's up and down button once simultaneously. Repeat to program additional remotes.



Wireless Remote Battery: 2x 23A batteries (included)

OPTIONAL ACCESSORIES:

- Wireless Dash Mount Remote (p/n 9635)
- RCL-95 Replacement Mounting Plate for GOLIGHT® (p/n 9639)*
- RCL-95 16.4' (5m) Extension Cable (p/n 9638)

*This retrofit kit can be used when replacing GOLIGHT® Stryker or RadioRay searchlights with the ACR RCL-95 Searchlight. Note: This kit will not work for the RadioRay portable version (GOLIGHT is a registered trademark of GOLIGHT, Inc.)

DASH MOUNT WIRED JOYSTICK INSTALLATION:

