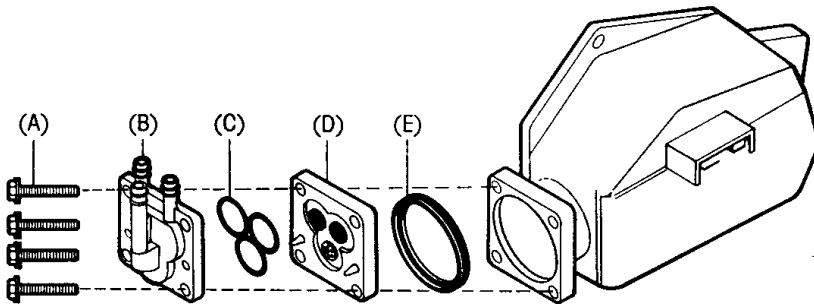




# Instructions



## Instructions

**Repair pump while installed on motor.**

**Note position of original components.**

**Do not use pump without solvent.**

- 1) Remove components A, B, C, D & E.
- 2) Clean all mating surfaces.
- 3) Install new components in reverse order.
- 4) Check hoses for damage or leaks.
- 5) Flush and clean the reservoir then refill with proper solvent.
- 6) Prime the pump by activating 4 to 6 times.

Learn more about wipers and washers we have.