

TOOLS

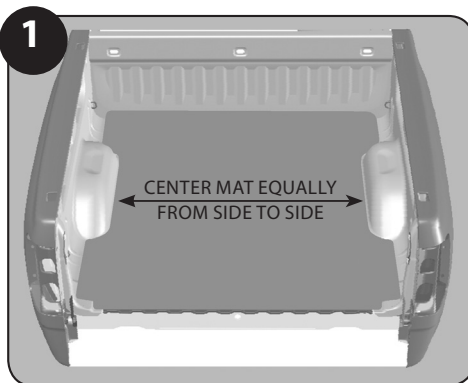
- Drill with 3/32" Bit
- #2 Phillips Screw Driver
- Tape Measure
- Protective Eyewear

PREPARATION:

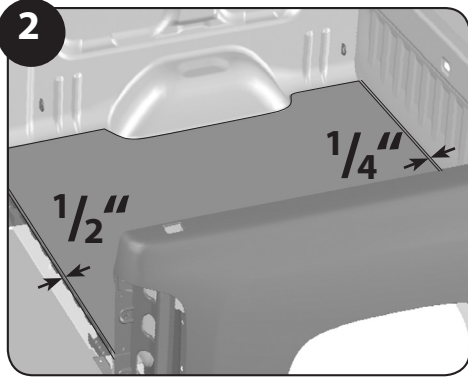
- Wash and dry truck bed.
- **CAUTION:** BEFORE DRILLING holes, always visually inspect each location to be certain drilling will not interfere with concealed wiring harness, fuel lines or other areas of concern.
- If drilling into bed floor is not an option, an adhesive snap kit (order #70583) is available for additional cost. (instructions for optional snap kit are on page 2)
- Trucks with bed accessories such as a fifth wheel hitch requires small slit cuts to allow accessory to protrude through Bed Mat surface.
- Bed Liners-the bed mat and its installation is compatible with spray on bed liners.
- Do not attempt to install this product on any vehicle other than the one it is specifically intended for.

Cleaning your ACCESS Truck Bed Mat: The mildew resistant Bed Mat base will not absorb liquids. Its carpet fiber top has been designed to resist stains and deterioration from most chemicals, gas and oils. By following these cleaning practices, your Bed Mat will provide many years of service.

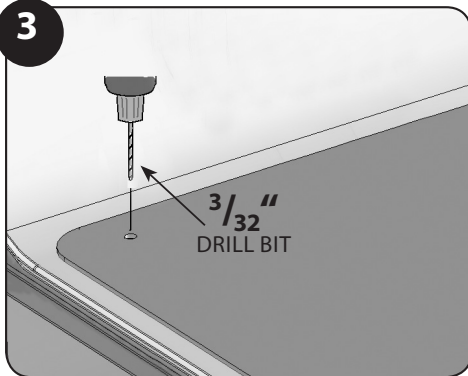
1. A vacuum, broom, brush, compressed air or pressure washer can be used to clean dirt, grime, sand etc.
2. Cleaning tough jobs such as gasoline, oil and chemical leaks use a detergent soap with degreaser and water. Scrub or pressure wash as needed and rinse clean.



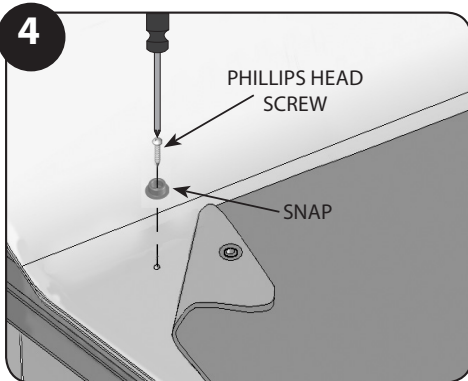
Lay bed mat on truck bed carpet side up. Center it from side to side between wheel wells.



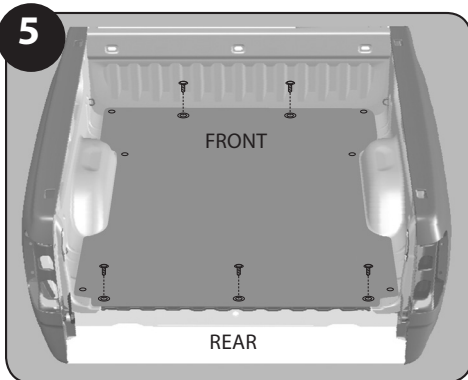
Adjust mat at front (behind cab) $\frac{1}{4}$ " away from box wall. Adjust mat at rear $\frac{1}{2}$ " away from edge of bed.



Starting at rear left corner, use hole in snap attached to mat as template and drill $\frac{3}{32}$ " hole into surface layer of truck bed .



Lift corner of mat up, position male snap over hole and fasten with Phillips screw. **Use care not to strip threads.** Let corner of mat down and press snaps together. Repeat procedure on opposite rear corner. Next, install each snap located near wheel well. Then install each snap located at corner behind cab.



Finish installing remaining snap locations at front behind cab. If needed, unsnap corner section and snap back together when completed.

Finish installing remaining snap locations at rear.

OPTIONAL ADHESIVE SNAP KIT INSTRUCTIONS (#70583)

NOTE: Temperature application range for best results is 70° to 100° F. Minimum suggested application temperature is 60 degrees.

- 1) Attach each adhesive snap (11) to snaps on bottom of bed mat. **Do not peel protective layer off adhesive now.**
- 2) Position bed mat on truck bed as shown in steps 1 and 2 above.
- 3) Starting at rear left corner of bed mat, lift corner up out of the way. Inspect area on bed where snap pad will adhere. If needed, trim cut adhesive pad to fit flat surface of bed. Use alcohol wipe to clean bed surface where adhesive snap will adhere. Let cleaned area dry. Make sure bed mat is in its correct position.
- 4) Peel plastic off adhesive pad. **Do not touch adhesive with finger.** Let mat unfold to allow adhesive pad contact cleaned bed surface. Press it firmly onto bed.
- 5) Gently lift bed mat to separate snaps. Press directly down on snap for maximum adhesion, working all around edges and center of snap. **See Figure A.** Reattach snaps together.
- 6) Repeat procedure for each adhesive snap location, one snap at a time. Work from tailgate end toward cab.

