



HARD TRI-FOLD TRUCK BOX COVER SPECIAL SIDE RAIL INSTRUCTIONS



2007-ON TOYOTA TUNDRA WITH DECK RAIL

Read and follow these special instructions along with the standard instructions carefully before installing or using this cover.

NOTICE TO INSTALLER: Even if familiar with product, read special instructions prior to installation as improvements may be made without notice. Always handle components with care. When done, these special instructions must be given to the consumer.

NOTICE TO CONSUMER: Before using this product, read special instructions. Save these special instructions for future reference.

PREPARATION

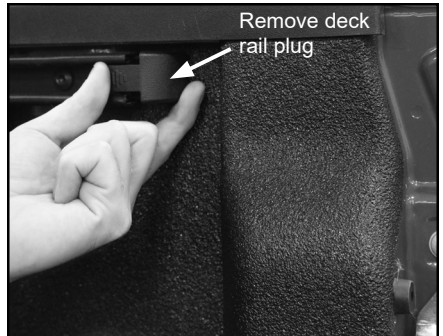
TOOLS NEEDED

- (1) Foot-pound torque wrench with 1/2" socket
- (1) Protective eyewear
- (1) 1/2" Wrench

⚠ CAUTION: Over torquing hardware may damage components. Do not use impact tools.

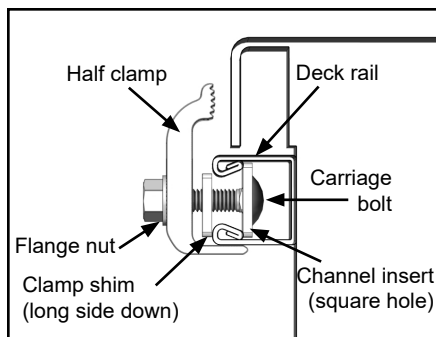
1. REMOVING EXISTING HARDWARE

A. Remove deck rail plug closest to tailgate. If tie down clasps installed in deck rail, loosen and remove for now.



2. INSTALLING SIDE RAILS

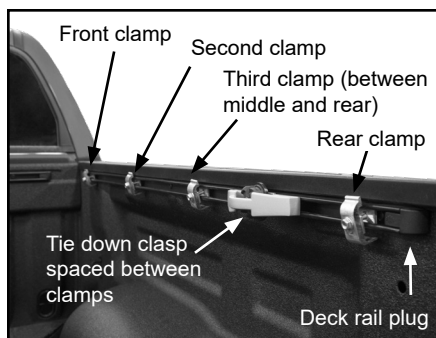
A. When inserted into deck rail, position pre-assembled clamps and hardware as illustrated.



B. Refer to standard instructions for clamp position and quantity.

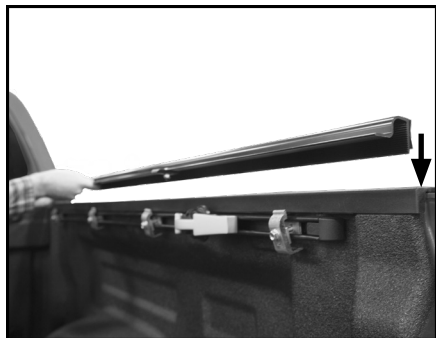
NOTE: For trucks equipped with tie downs, position them as desired between clamps.

C. Replace deck rail plug.



D. Place side rail between clamps and inside lip of box until resting on deck rail.

E. Use standard instructions for correct height and position of side rail.



F. Hold side rail level, clamp as shown and then tighten clamps. When tight, clamps should hold side rail level.

G. Repeat Steps 1 and 2 to install side rail on opposite side.

H. Torque all clamp bolts to 25 ft-lbs.

I. **For remaining cover installation, refer to standard instructions**

