



INSTALLATION INSTRUCTIONS

Thank you for purchasing LOMAX™ Hard Tri-Fold Cover. Agri-Cover, Inc. proudly manufactured this cover using superior quality materials and workmanship. With proper care, your cover will provide years of service and enjoyment.

NOTICE TO INSTALLER: Even if familiar with cover, read instructions prior to installation as improvements may be made without notice. Always handle cover and components with care. If you have questions or problems, have serial number ready and call customer service. When done, these instructions must be given to the consumer.

NOTICE TO CONSUMER: Before using cover, read operating, maintenance and safety sections. Save these instructions for future reference.



PREPARATION

Unpack cover components and clean truck box if dirty. For additional installation assistance, go to lomaxcovers.com for install video.

COMPONENTS

- (8) Clamps
- (1) Driver side rail
- (1) Passenger side rail
- (1) Pre-folded cover assembly
- (2) Safety straps

TOOLS NEEDED

- 1/2" Wrench
- Torque wrench with 1/2" socket
- Spring clamp - optional
- Tape measure or ruler
- Protective eyewear
- Marking pen

NOTE: With an under the rail drop-in bed liner, installation is possible with minimal trimming/cutting of bed liner at front corner of box and back by tailgate to allow side rail to install properly. Considerable trimming/cutting is required with an over the rail drop-in bed liner.

NOTE: For additional protection against the elements, locate and seal miscellaneous factory holes, crevices, stake pockets, etc. that may be in box (sealant not included).

NOTE: Side rails may be contoured to follow the shape of box.

▲ CAUTION: Over torquing hardware may damage components. Do not use impact tools.

PARTS DIAGRAM

Front (closest to cab)

Storage clip retainers

Cover assembly

Front catch toward front of box

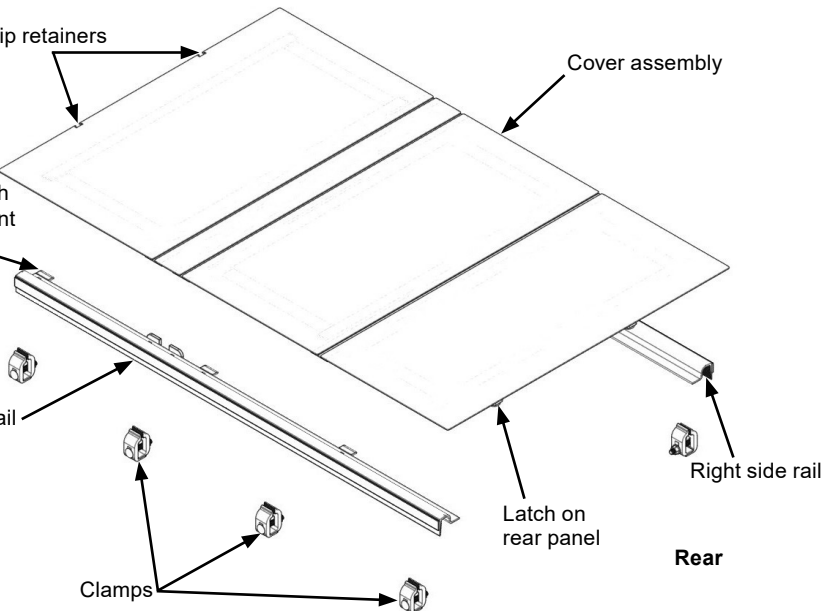
Left side rail

Right side rail

Latch on rear panel

Rear

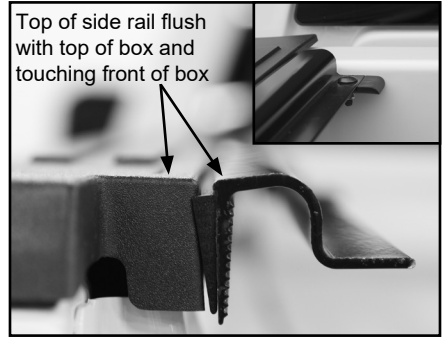
Clamps



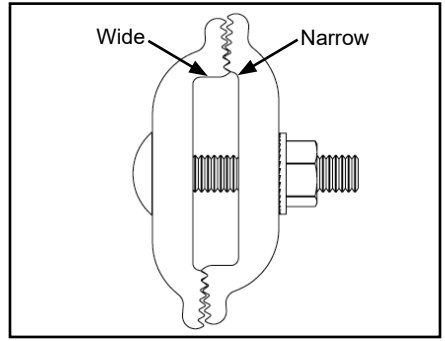
1. INSTALLING SIDE RAILS

NOTE: Some installs require special instructions. If required, follow special instructions for side rail attachment along with these standard instructions.

A. Position side rail with weather strip against inside lip of box and front catch toward front of box. Push side rail forward until it touches front of box.



B. Ensure each clamp half has a wide and narrow offset positioned at top and bottom. Adjust top of side rail until flush with top of box, hold with assistance of another person or spring clamp. Install first clamp as close to front as possible and use 1/2" wrench to tighten.



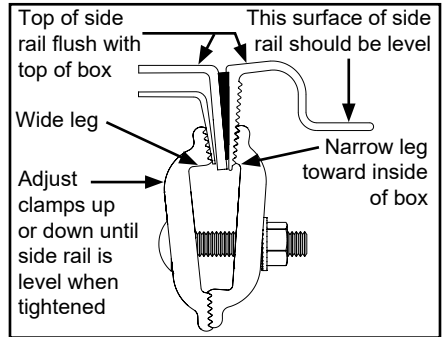
IMPORTANT: To keep side rail secured on truck, ensure clamp teeth engage grooves on side rail, turn nut finger tight, then use wrench to finish tightening.

C. Verify side rail is level. If side rail is not level, perform one of the following:

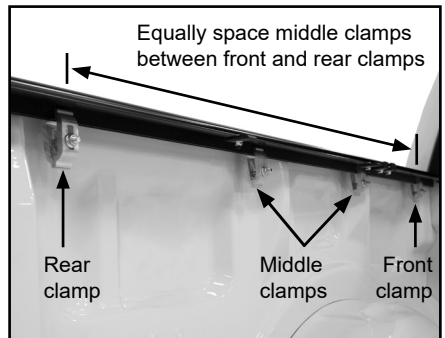
If side rail tilts up: loosen and lower clamp, engage teeth and then retighten clamp.

If side rail tilts down: loosen and raise clamp, engage teeth and then retighten clamp.

NOTE: For further leveling capabilities, clamp assembly may be rotated 180°.

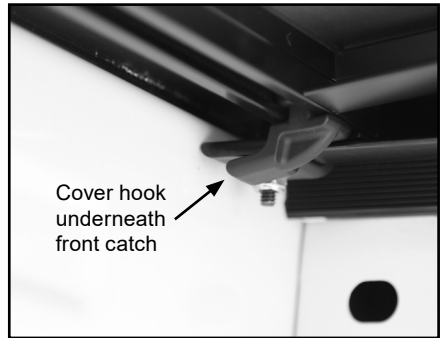


D. With side rail flush with top of box, install two middle clamps equally spaced from front to rear. At rear of box, place rear clamp as close to tailgate as possible, ensure clamp teeth engage grooves on side rail. Repeat Step 1 to install side rail on opposite side. **When done, torque all clamps to 20 ft-lbs.**



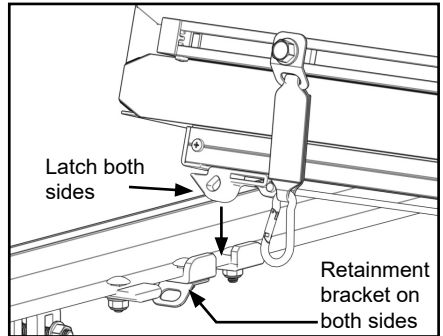
2. INSTALLING COVER

A. At front of box, lift folded cover above side rails and place leading edge of front panel on front rails. Hold cover rear edge 1" above side rails and slide cover hooks underneath front catch on each side.



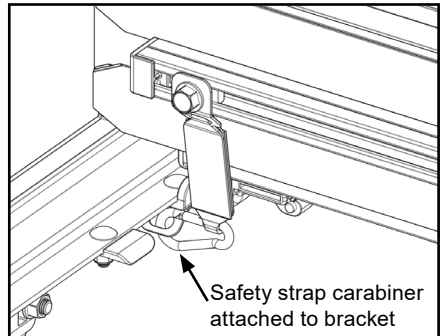
B. With cover hooks engaged underneath front catches, lower cover to engage latches in retainment brackets on each side.

NOTE: Loosen, adjust and retighten retainment brackets with a 7/16" wrench as needed.



C. Attach safety straps to safety strap brackets on each side.

⚠ WARNING: Only detach safety straps when removing cover from vehicle or performing maintenance. Before driving, ensure safety straps are attached to cover and side rails.



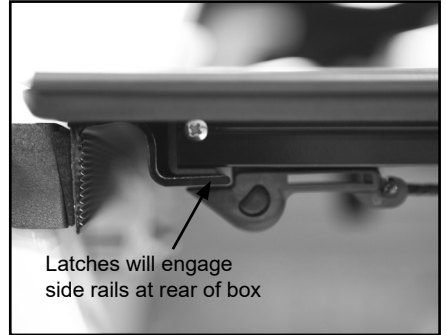
2. INSTALLING COVER (Continued)

D. Unhook storage clips at front of cover and unfold middle panel toward tailgate. Hooks on middle panel will automatically engage middle catches on each side.



E. Unfold rear panel toward tailgate. Hooks on rear panel will automatically engage rear catches on each side. Latches will automatically engage each side rail at rear of box.

NOTE: Ensure all latches fully engage side rails when closing cover.



NOTE: After installation, cover should remain on truck box in closed position for at least 48 hours. During this time period the cover typically conforms to truck box.

TROUBLESHOOTING

PROBLEM

SOLUTION

Top of tailgate hits cover when attempting to close

Side rails are set too low at rear of cover, raise rails at rear of box until cover no longer interferes with tailgate operation (see Step 1B).

Gap between cover and tailgate

Side rails are set too high (see Step 1B).

Seal on edge of cover is not sealing tight against top of box.

Side rails are set too high (see Step 1B).

Latch doesn't engage

Check side rails for height and level (see Step 1). Inspect latches for jammed or broken parts.

Cover is not parallel with side rails

With cover installed on box, loosen hardware on both retainment brackets with 7/16" wrench (DO NOT REMOVE HARDWARE). Unfold cover to closed position and square up with box. Carefully fold cover back to open position and retighten retainment bracket hardware.

OPENING TRI-FOLD COVER

IMPORTANT: To avoid damage or misalignment of hinge points, open cover in a smooth, fluid manner.

IMPORTANT: Remove debris or snow from hinges before opening cover.

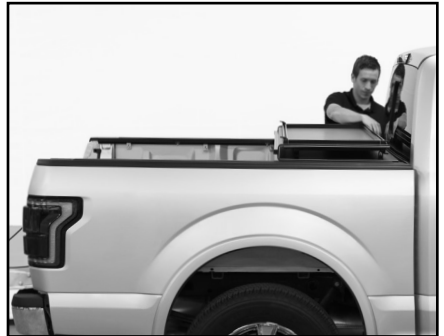
A. Open tailgate, pull release latch.



B. Fold panels toward the cab.



C. Fasten storage clips on both sides to store the cover.



CLOSING TRI-FOLD COVER

IMPORTANT: To avoid damage or misalignment of hinge points, close cover in a smooth, fluid manner.

IMPORTANT: Remove debris or snow from hinges before closing cover.

A. Unfasten storage clips on both sides.



B. Unfold panels toward tailgate.



C. Always ensure all latches fully engage side rails. Close tailgate.



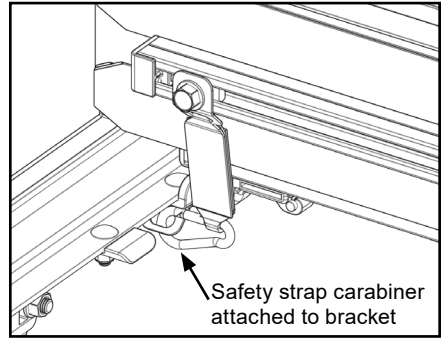
REMOVING AND REINSTALLING COVER

REMOVE COVER

A. With cover folded open and storage clips secured, detach safety straps from safety brackets.

B. Pull cord on front panel and lift rear edge of cover 1" above side rails (Figure 1).

C. Slide cover back to disengage hooks, then lift to remove (Figure 2).



REINSTALL COVER

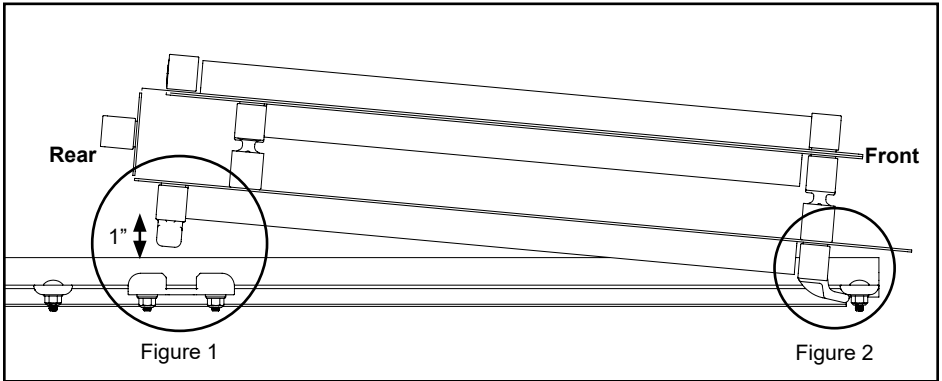
A. At front of box, set front edge of cover on side rails and hold rear edge 1" above rails (Figure 1).

B. Slide cover forward to engage hooks underneath catches (Figure 2).

C. Lower cover to engage latches in retainment brackets.

D. Ensure hooks are engaged by gently lifting corners of cover.

E. Secure safety straps to safety brackets.



TIPS FOR A LONGER LASTING COVER

- Keep cover closed when not in use.
- Avoid storing cover in its folded position for long periods of time.
- Ensure cover is properly latched while traveling and before entering automatic drive-through car washes.
- When cleaning, use mild liquid soap and water. Never clean with petroleum or citrus based products. Petroleum based products may dry out and damage cover seal.

INSPECTION AND MAINTENANCE

The operator can perform most of inspection and maintenance. It may be necessary to review the installation and operating instructions.

- Periodically check and retighten safety strap hardware. If safety straps or brackets are damaged, replace with new hardware.
- Periodically check and retighten clamps as needed.
- Periodically check synthetic cord to ensure latches fully engage side rails.
- Periodically inspect cover assembly and the condition of all parts. Check for loose bolts and parts, tighten if needed. Test the operation to ensure parts are functioning properly and cover is in top operational condition.
- If latch has been damaged, replace with new one.

NOTE: Inspection and maintenance should also be performed anytime a malfunction is observed or suspected. If you need assistance inspecting or servicing your cover, or if you want to order a replacement part, call the customer service number on the back page. Always use original equipment replacement parts for your cover.

SAFETY INFORMATION

- Ensure safety straps are attached to safety brackets when cover is installed on vehicle.
- Do not tow vehicle backward with cover on your truck.
- Do not cover cargo that is higher than the cover.
- Do not place object(s) on or against the cover or its framework at any time.
- Always secure cargo to ensure it does not damage cover or framework.
- Remove debris or snow from top of cover and hinges before opening or closing cover.
- Do not use the cover's framework to tie down cargo.
- Never stand, sit or ride on the cover or allow others to do so.
- The cover does not eliminate moisture and dust from entering the truck box. Special wrappings or packaging of the cargo may be necessary.
- Due to poor ventilation, if you allow a pet/animal in the box, leave cover open. Do not allow people or animals to occupy box with the cover closed.
- Use caution when operating cover in windy conditions.
- Always ensure all latches fully engage side rails prior to driving with cover in closed position.
- Keep cover completely closed or open and secured with storage clips. Do not attempt to drive with the rear panel in the partially open position.
- Use caution when cleaning cover and components with a pressure washer. Using a pressure washer too close to the cover may damage the hinge and seal.
- Keep cover closed when going through automatic car washes.
- Keep hands and fingers away from all pinch points.
- Never use latch cord to lift or fold cover.
- California Proposition 65: This product contains or emits chemicals known to the state of California to cause cancer, birth defects and other reproductive harm.