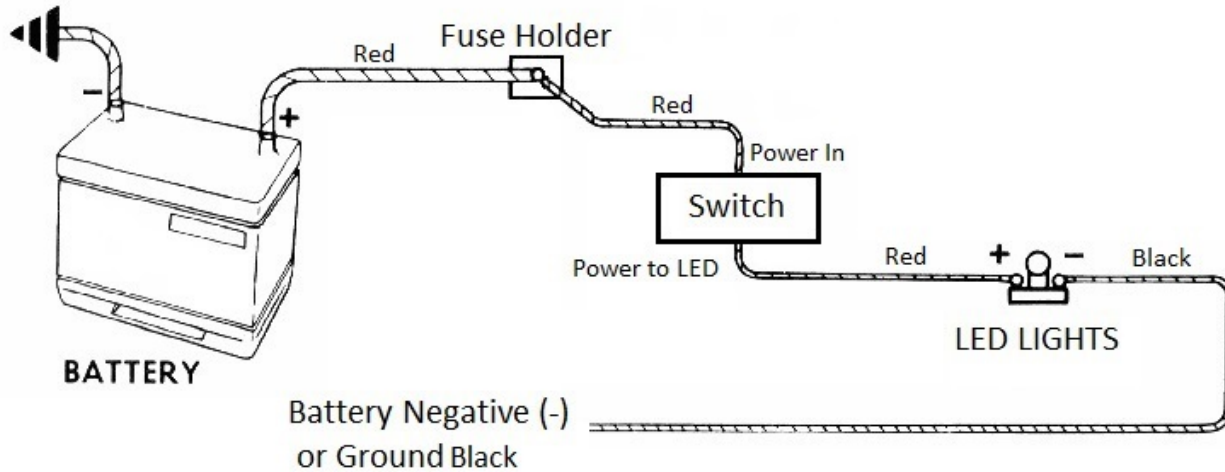




# AMERICAN CAR CRAFT INSTRUCTIONS

## BASIC WIRING INSTRUCTIONS



### Recommended Parts:

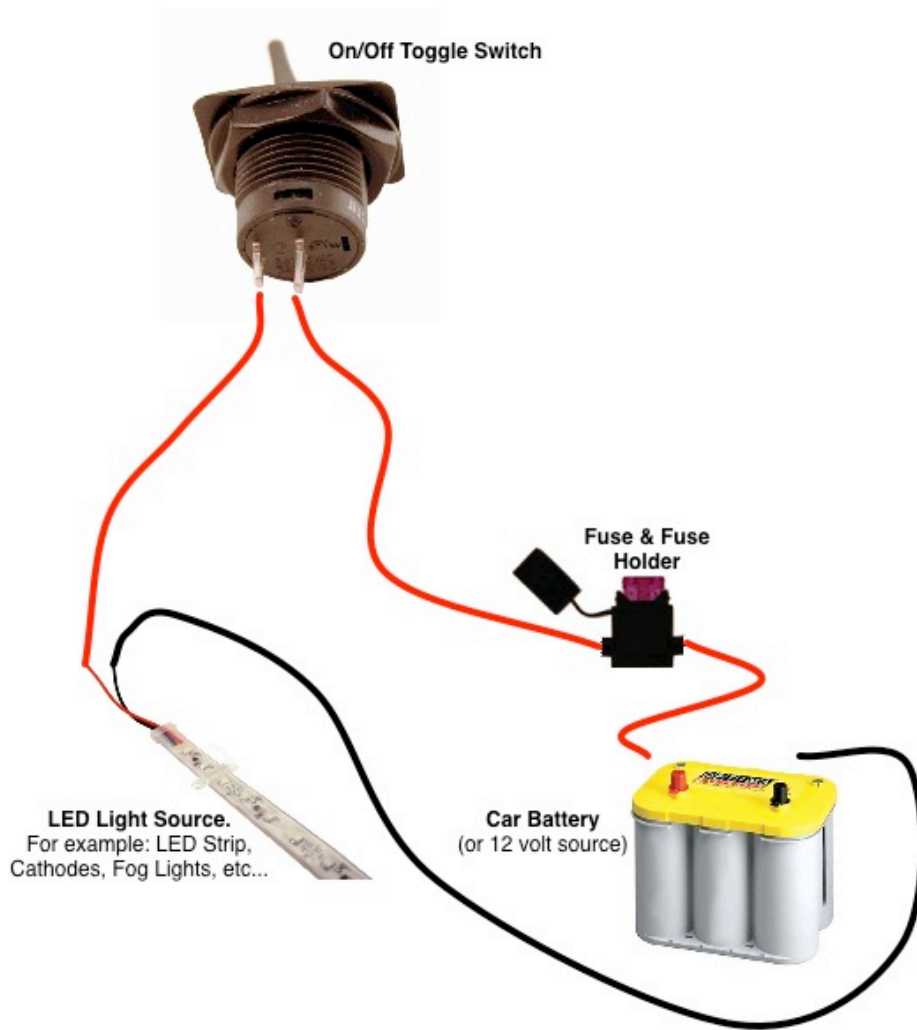
- 1-Toggel Switch
- 1-Fuse Holder
- 1-5 Amp or 7Amp Fuse
- 2-#8 Blue Ring Connector
- 8- Blue Butt Connectors
- 2- Female Spade Connectors

### Tools Needed:

- Wire strippers or Wire Crimps

To begin the wiring installation, it is important to identify the positive or “hot” connection (+) from the battery. Disconnect the positive (+) terminal from the battery. Once disconnected and identified, you will have several ways to connect your lights.

1. Your new products will come to you with the led wiring already attached, all you will need to do is wire it up to the power source.
2. Each application is different due to unique wiring set ups with manual and remote switches or tying into existing switches, you will need to find the best way that works for your situation as to where you wish to tie the LED wires into your connection point.
3. The power lead from the LEDs will need go into one side of your toggle switch and the ground from the LEDs need to go directly to ground, (your frame or battery terminal).
4. Once everything is connected go ahead and put the fuse in the fuse holder and enjoy your new lights.



**Thank you and enjoy your new purchase!**