



3M Science.
Applied to Life.™

3M Automotive

Design and build with confidence

With a network spanning 65 countries, 3M is a true global partner to automotive OEMs and tier suppliers, offering solutions, services, support and manufacturing capabilities at the local level.

Wherever cars are made, 3M is there to help.

Design and build with confidence

You and your customers have strong preferences and strict expectations. 3M works with you to help ensure that you can meet your goals. Whatever you want to achieve in design, manufacturing and assembly – NVH reduction, lightweighting, styling and comfort, or process improvement – we can help. 3M has over 100 years of experience and more than 1,000 products to help you stay ahead of the competition.

“We have a solution for every phase of the vehicle design and assembly process.”



Acoustic Insulation
Lightweight, high-performance acoustic absorber



Fluoropolymers
Wide range of high performance fluoroelastomers, fluoroplastics and PTFE for use in demanding powertrain and fuel system applications.



Structural Bonding Tapes and Adhesives
Epoxy film adhesive for bonding, stiffening or corrosion protection of metals



Adhesives
Broad portfolio formulated for wide range of substrates and conditions



Friction
Friction enhancing solutions for joining components to transmit higher forces and torques



Tape Attached Hardware
Components with pre-applied pressure sensitive or heat curable tapes



Attachment Tapes
High-performance, double-sided, pressure sensitive and heat activated tapes



Glass Bubbles
Lightweight, cost effective, high-strength, low density additive



Thermal and Emission Control Materials
Mat Mount and insulation products for pollution control systems



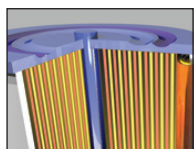
Auto Glass Films
Films for laminated glass and aftermarket windows to reduce heat and UV without electronic signal interference



Interior Trim Films
Customizable, premium film for covering interior trim parts



Thermal Interface Materials
Efficient heat transfer and cushioning for long-term reliability and performance optimization



Battery Cell Materials
Materials portfolio to enable smaller, safer, longer lasting hybrid and electric vehicles



Light String
Highly flexible light guide with superior uniformity and temperature durability



Thermal Management Fluids
Non-flammable, direct contact cooling fluids with high dielectric constant



Display Solutions
Films to manage reflections, manipulate light distribution and increase display brightness



Performance Label Materials
Comprehensive portfolio of adhesives, topcoats, facestocks and liners



Thin Bonding Tapes
Extensive portfolio of adhesive transfer and double coated tapes for bonding a wide range of substrates



EMI/EMC Electronic Materials
Sensitive electronics and communications, wireless charging



Optically Clear Adhesive
Very durable, clear, laminating adhesive with high heat, UV and humidity resistance



Wheel Weights
Lead-free wheel balancing



Exterior Trim Films
Chrome or high gloss black paint replacement for vehicle trim parts



Paint Protection Film
Virtually invisible film to protect vulnerable vehicle surfaces



Fastening
Mushroom-shaped stems snap together tightly for dependable repeatable attachment.



Paint Replacement Film
Film alternative for blackout appearance around automotive side glass

Exterior

1 3M™ Acrylic Foam Tape for exterior trim attachment

Moldings, sensor brackets, B pillar appliqué

2 3M™ Acrylic Foam Tape for Sealing and Weatherstrip

Body, door, trunk and deck lid seals

3 3M™ Auto Glass Film

Side and rear glass

4 3M™ Die-Cuttable Acrylic Foam Tapes

Nameplate attachment

5 3M™ Exterior Trim Film

Belt line moldings

6 3M™ Glass Bubbles in Plastic Parts

Sheet molded composite panels, hood, trunk lid, engine cover

7 3M™ Glass Bubbles in Sealants

Seam sealers, underbody coatings

8 3M™ Paint Protection Film

Hood, bumper, trunk ledge, rocker panels

9 3M™ Paint Replacement Film

Door pillars, sashes and moldings

10 3M™ Structural Bonding Tape

Roof ditch molding clips

11 3M™ Wheel Weights

Lead-free wheel balancing

12 Tape-Attached Hardware

Mirror buttons, sensor brackets, locator pins

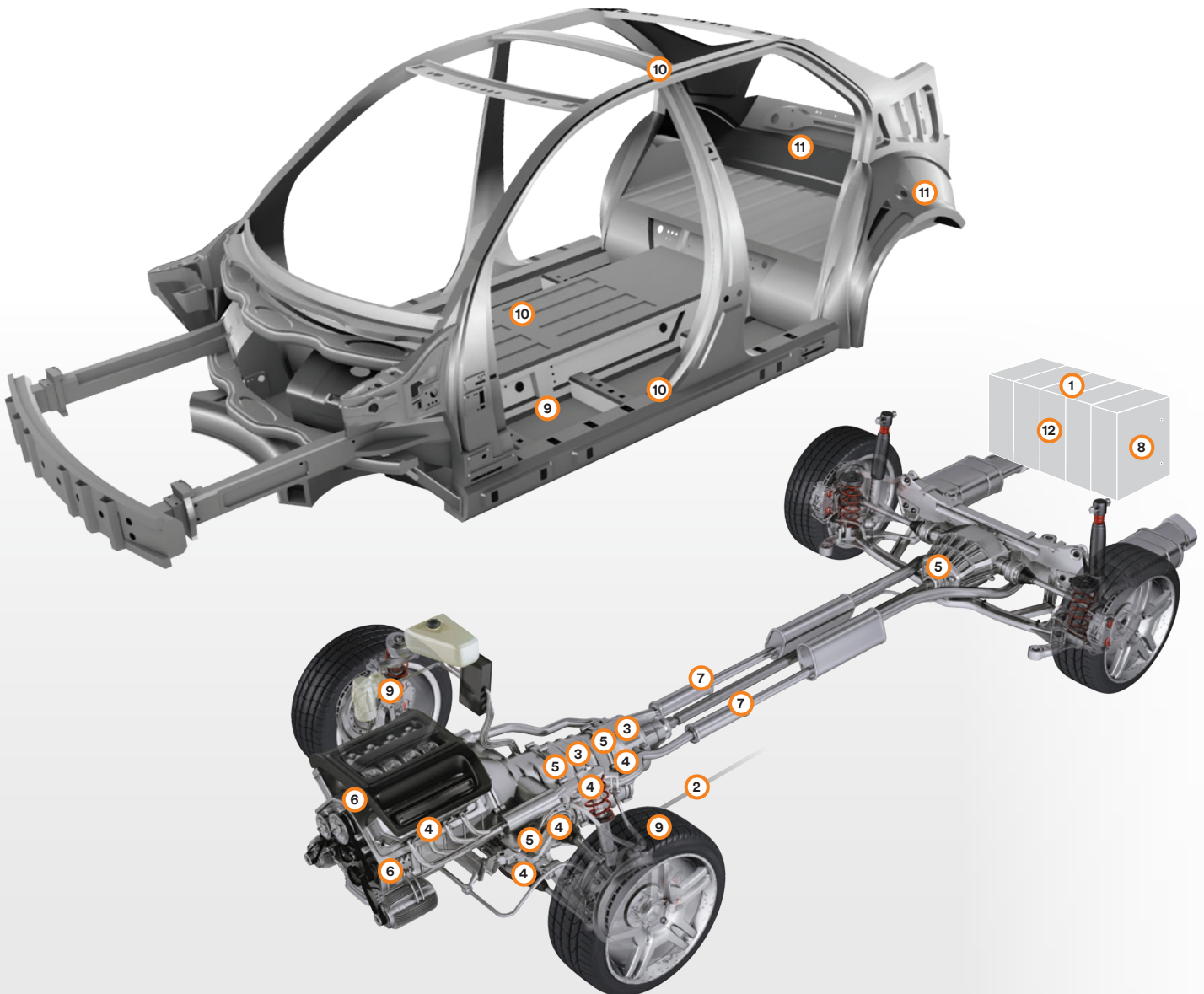


Chassis/Powertrain

- ① **3M™ Battery Cell Materials**
Anode powders, coated current collectors and electrolyte additives
- ② **3M™ Dyneon™ Fluorothermoplastic**
Fuel hoses
- ③ **3M™ Dyneon™ Fluorelastomer**
Powertrain and transmission seals, hoses and o-rings
- ④ **3M™ Dyneon™ PTFE**
Engine, transmission, steering and shock absorber seals

- ⑤ **3M™ Fastener Adhesives**
Adhesive pre-applied to threaded fasteners
- ⑥ **3M™ Friction Shims**
Crankshaft, camshaft, and balancer shaft
- ⑦ **3M™ Interam™ Mat Mount and Insulation**
Gasoline and diesel engines
- ⑧ **3M™ Novec™ Engineered Fluids**
Direct contact battery cooling fluid

- ⑨ **3M™ Performance Label Material**
Brake system, body and tire
- ⑩ **3M™ Structural Adhesives**
Hem flange, roof bow brackets, isolator
- ⑪ **3M™ Thinsulate™ Acoustic Insulation**
Fender liner, doors
- ⑫ **3M™ Thermal Interface Materials**
Hybrid, plug-in hybrid and electric vehicle batteries



Interior

1 3M™ Boron Nitride Cooling Fillers

Heat dissipation and transfer for plastic display housings

2 3M™ Bumpon™ Protective Products

Glove box, center console, electronic spacer

3 3M™ Damping Foil Tapes

Doors, hoods, deck lids

4 3M™ Display Enhancement Films

Cluster, center stack

5 3M™ Dual-Lock™ Reclosable Fasteners

Headliner, sunroof ring, closeout panels

6 3M™ EMI/EMC Electronic Materials

Sensitive electronics and communications, wireless charging

7 3M™ Glass Bubbles

Center console, instrument panel, inner door panels

8 3M™ Interior Trim Film

Door and instrument panel trim

9 3M™ Laminating Adhesive

Low fogging adhesives (seats, headliner)

10 3M™ Light String

Doors, instrument panel, headliner

11 3M™ Optically Clear Adhesive

Displays, touch panels

12 3M™ Performance Label Materials

Warning and security labels

13 3M™ Thermal Interface Materials

Heat dissipation

14 3M™ Thin Bonding Tapes

Trim and fabric attachment, buzz squeak rattle, headliner

15 3M™ Thinsulate™ Acoustic Insulation

Headliner, package tray, instrument panel, pillars, doors

16 3M™ Wire Harness Tapes

Headliner, pillars

Headliner

5

12

14

15

16



Meet your goals

	Weight Reduction	Passenger Comfort	Quality and Process Improvement	Design Flexibility	Automotive Electrification	NVH Reduction	Powertrain Innovation	Styling and Personalization
Solutions								
Acoustic Insulation	•	•	•	•		•		
Adhesives	•		•	•		•		
Auto Glass Films		•						•
Automotive Attachment Tapes	•		•	•		•		•
Battery Materials	•				•		•	
Bumpons						•		
Display Solutions		•		•	•			•
EMI/EMC Electronic Materials		•		•	•			
Exterior Trim Films	•		•					•
Fastening	•			•		•		
Fluoropolymers							•	
Friction Shims							•	
Glass Bubbles	•		•		•			
Interior Trim Films				•				•
Label Materials			•		•			
Light String			•	•				•
Optically Clear Adhesive		•		•	•			•
Paint Protection Film			•					•
Paint Replacement Film			•	•				•
Structural Bonding Tapes and Adhesives	•		•	•				
Tape Attached Hardware			•	•	•			•
Thermal and Emission Control Systems							•	
Thermal Interface Solutions				•	•		•	
Thermal Management							•	
Thin Bonding Tapes	•	•	•	•	•	•	•	•
Wheel Weights		•	•					